



see what Delta can do™

112970



X00112970

STEAM HEAD INSTALLATION INSTALACIÓN DEL CABEZAL DE VAPOR INSTALLATION DE LA TÊTE DE VAPEUR

Model Number: _____
Número del modelo
Numéro de modèle

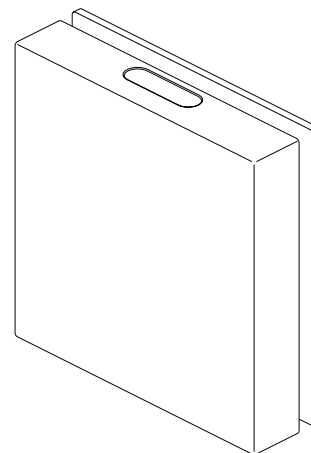
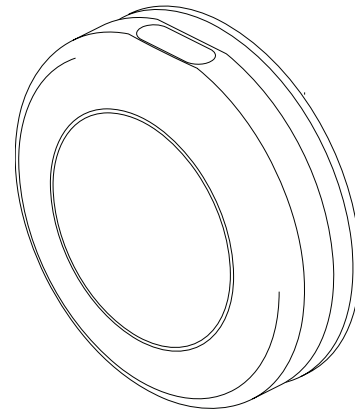
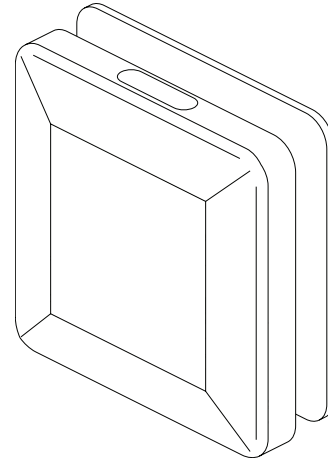
Date of Purchase: _____
Fecha de compra
Date d'achat

Register Online
Regístrese en línea
S'enregistrer en ligne
www.deltafaucet.com/service-parts/product-registration

To reference replacement parts and access additional technical documents and product info, visit www.deltafaucet.com/service-parts

Para referencia sobre las piezas de repuesto y acceder a documentos técnicos adicionales e información del producto, visite www.deltafaucet.com/service-parts

Pour obtenir la référence des pièces de rechange ainsi que pour avoir accès à d'autres documents techniques et renseignements sur le produit, allez à www.deltafaucet.com/service-parts



1-800-394-6478
www.deltafaucet.com/service-parts/contact-us/

Read all instructions prior to installation.

CAUTION

Failure to read these instructions prior to installation may result in personal injury, property damage, or product failure. Manufacturer assumes no responsibility for product failure due to improper installation.

Lea todas las instrucciones antes de hacer la instalación.

ADVERTENCIA

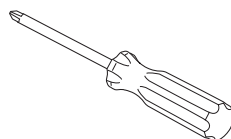
El no leer estas instrucciones de instalación puede resultar en lesiones personales, daños a la propiedad, o falla en el funcionamiento del producto. El fabricante no asume ninguna responsabilidad por la falla del producto debido a una instalación incorrecta.

Veuillez lire toutes les instructions avant l'installation.

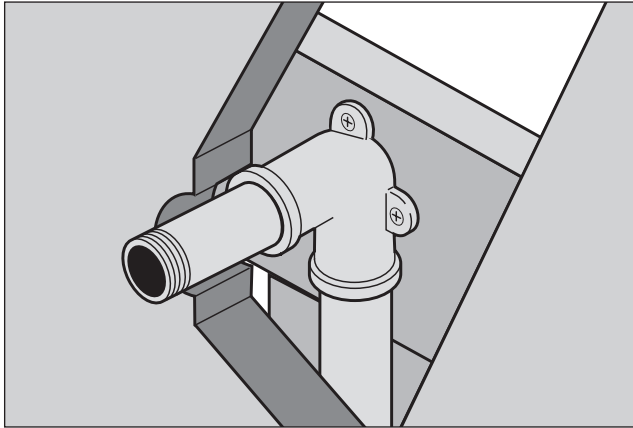
AVERTISSEMENT

L'omission de lire les présentes instructions avant l'installation peut entraîner des blessures, des dommages matériels ou le bris du produit. Le fabricant se dégage de toute responsabilité à l'égard d'un bris du produit causé par une mauvaise installation.

You may need:
Usted puede necesitar:
Articles dont vous pouvez avoir besoin :



1 Rough In Steam Line (not supplied) Línea de vapor dentro de las paredes (no incluida) Tuyauterie de vapeur (non fournie)



Prior to steam head installation, Install rough plumbing line to desired location. The steam head must be installed to a 3/4" NPT copper or brass pipe; do NOT use black iron or galvanized pipe, it will rust and discolor the steam bath wall. Do NOT use plastic supply pipes or fittings.

NOTE: Supply elbow and steam supply pipe MUST BE SECURELY ANCHORED to ridged blocking.

The steam head location should be 12" to 18" above the shower floor or 6" above the rim of the bathtub, as far from the seating area as possible.

Antes de la instalación del cabezal de vapor, instale la línea de plomería en bruto en la ubicación deseada. El cabezal de vapor debe estar instalado en un 3/4" NPT; NO use hierro negro o tubería galvanizada, se oxidará y decolorará la pared del baño de vapor. NO use tuberías o accesorios de suministro plásticos.

NOTA: El codo de suministro y la tubería de suministro de vapor DEBEN ESTAR FIRMEAMENTE ANCLADOS al bloque estriado.

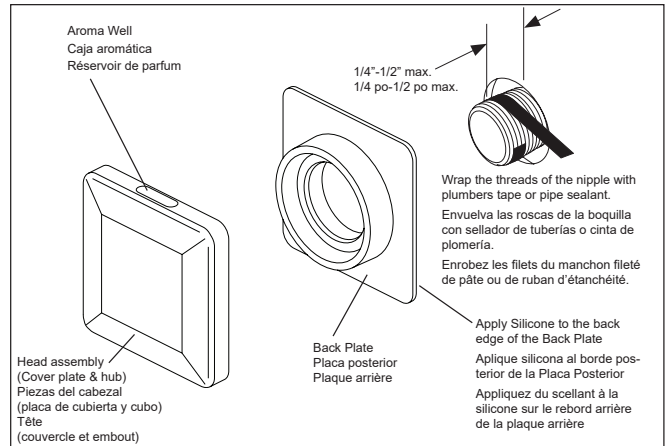
La ubicación del cabezal de vapor debe estar entre 12" y 18" por encima del piso de la regadera o 6" por encima del borde de la bañera, lo más lejos posible del área para sentarse.

Avant l'installation de la tête de vapeur, installez une ligne de plomberie rugueuse à l'endroit souhaité. La tête de vapeur doit être installée sur un 3/4 po NPT. N'UTILISEZ PAS un tuyau de fer ni un tuyau galvanisé. La rouille qui se formera dans ce tuyau tachera le mur du bain de vapeur. N'UTILISEZ PAS des tuyaux d'alimentation et des raccords en plastique.

NOTE : Le coude et le tuyau d'alimentation en vapeur DOIVENT ÊTRE FIXÉS SOLIDEMENT à l'entretoise.

La tête de vapeur doit se situer à une hauteur de 12 po à 18 po au-dessus du plancher de la douche ou à 6 po au-dessus du rebord de la baignoire et aussi loin de la place assise de l'utilisateur que possible.

2 Steam Head Installation Instalación del cabezal de vapor Installation de la tête de vapeur



1. Make sure the 3/4" nipple protrudes beyond the tile 1/4" to 1/2" (6-12 mm).
2. Keep opening in finished wall close as possible to pipe nipple with no more than 1/2" gap.

IMPORTANT: If the nipple protrudes beyond 1/2" the O-ring will not make a proper seal and the nipple will have to be adjusted.

3. Wrap the threads of the nipple with plumber's tape or use pipe sealant.
4. Make sure the steam head will line up in the upright position when tightened. The steam head should only be firmly hand tight. Using a wrench on the head may damage it. Screw the steam head on to the nipple and see how it lines up. Once a proper alignment is made remove the steam head.

1. Asegúrese de que la enterrosca de 3/4" sobresalga más allá de la baldosa de 1/4" a 1/2" (6-12 mm).
2. Mantenga la abertura en la pared acabada lo más cerca posible a la enterrosca de la tubería sin no más de 1/2" espacio.

IMPORTANTE: Si la enterrosca sobresale más de 1/2", la junta tórica no sellará correctamente y será necesario ajustar la enterrosca

3. Envuelva las roscas de la enterrosca con cinta de plomero o use sellador de tuberías.
4. Asegúrese de que el cabezal de vapor se alinee en posición vertical cuando esté apretado. El cabezal de vapor solo debe apretarse firmemente a mano. Usar una llave en el cabezal puede dañarlo. Enrosque el cabezal de vapor en la enterrosca y fíjese cómo se alinea. Una vez que se haya realizado una alineación adecuada, retire el cabezal de vapor.

1. Assurez-vous que le manchon fileté de 3/4 po présente une saillie de 1/4 po à 1/2 po (6-12 mm) par rapport aux carreaux.
2. Assurez-vous que l'écart entre le mur fini et le manchon fileté ne dépasse pas 1/2 po.

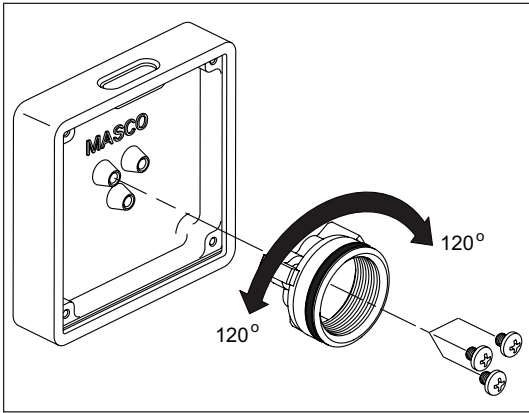
IMPORTANT : Si la saillie du manchon fileté est supérieure à 1/2 po, le joint torique n'assurera pas l'étanchéité et le manchon devra être ajusté.

3. Enrobez les filets du manchon fileté de ruban ou de pâte d'étanchéité.
4. Prenez soin d'orienter la tête de vapeur vers le haut en la serrant. La tête de vapeur doit être serrée fermement, à la main seulement. L'utilisation d'une clé pourrait l'endommager. Vissez la tête de vapeur sur le manchon et vérifiez son positionnement. Une fois qu'elle est bien positionnée, retirez-la.

NOTE: The steam head has been designed with a 360 degree dispersion of steam to improve steam circulation and to minimize the hotspots created with the traditional steam heads. For maximum comfort the steam head should always be located as far from the seating area as possible. Should the location of the steam head necessitate blocking the steam from a particular direction to improve bather comfort, the supplied deflector plate can be added to any of the three sides shown to help divert the steam away from the bather. The deflector is attached to the back side of the head before installation with 2 stainless steel screws provided. (See Option Installation, Deflector section on next page).

NOTA: El cabezal de vapor se ha diseñado con una dispersión de vapor de 360 grados para mejorar la circulación del vapor y minimizar los puntos calientes creados con los cabezales de vapor tradicionales. Para una máxima comodidad, el cabezal de vapor siempre debe ubicarse lo más lejos posible del área de asientos. Si la ubicación del cabezal de vapor requiere bloquear el vapor desde una dirección particular para mejorar la comodidad del bañista, puede agregar la placa deflectora suministrada a cualquiera de los tres lados que se muestran para ayudar a desviar el vapor lejos del bañista. El deflector se fija a la parte trasera del cabezal antes de la instalación con los 2 tornillos de acero inoxidable incluidos. (Consulte la sección Instalación de opciones, Deflector en la página siguiente).

NOTE : La tête de vapeur a été conçue pour disperser la vapeur sur 360 degrés afin d'améliorer la circulation et de limiter les points chauds créés par les têtes de vapeur classiques. Pour que le confort soit optimal, la tête de vapeur doit se trouver aussi loin que possible de la place assise. Si, en raison de l'emplacement de la tête de vapeur, une sortie de vapeur doit être bloquée pour éviter que la vapeur soit dirigée directement vers l'utilisateur, le déflecteur fourni peut être ajouté sur n'importe quel des trois côtés. Il suffit de le fixer à la face arrière de la tête avant l'installation avec les deux vis en acier inoxydable fournies. (voir la section Déflecteur à la rubrique Installation facultative sur la page suivante).



NOTE: If necessary the head can be repositioned by disassembling the hub from the cover and selecting one of the two alternate positions.

1. Re-apply sealant tape if necessary.
2. Place a bead of silicone around the pipe, sealing the pipe to the wall.
3. Place a bead of silicone around the back outer edge of the back plate.
4. Center and square the back plate over the nipple. While holding the head in place, attach the nipple by hand tightening the screws to the head.
5. Adjust the back plate and head to line up squarely. Remove any excess silicone with rubbing alcohol.

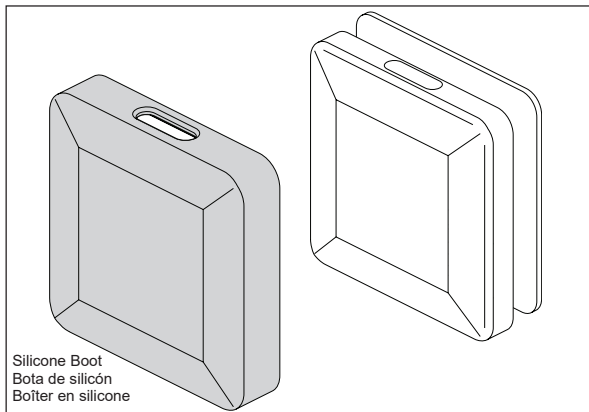
NOTA: Si es necesario el cabezal se puede repositionar desmontando el cubo de la cubierta y seleccionando una de las dos posiciones alternas.

1. Si es necesario, vuelva a aplicar cinta selladora.
2. Coloque un cordón de silicona alrededor de la tubería, sellando la tubería a la pared.
3. Coloque una gota de silicona alrededor del borde exterior trasero de la placa trasera.
4. Centre y escuadre la placa trasera sobre la entrerroscá. Mientras mantiene la cabeza en su lugar, fije el pezón apretando a mano los tornillos a la cabeza.
5. Ajuste la placa trasera y el cabezal para que queden alineados. Retire cualquier exceso de silicona con alcohol isopropílico.

NOTE: Au besoin, vous pouvez repositionner la tête en retirant l'embout du couvercle et en sélectionnant une des deux positions de rechange.

1. Réappliquez du ruban d'étanchéité au besoin.
2. Appliquez un cordon de scellant à la silicone autour du tuyau pour assurer l'étanchéité entre celui-ci et le mur.
3. Appliquez un cordon de scellant à la silicone sur le rebord extérieur arrière de la plaque arrière.
4. Centrez la plaque arrière sur le manchon et mettez-la d'équerre. Tout en maintenant la tête en place, fixez le mamelon à la main en serrant les vis à la tête.
5. Ajustez la plaque arrière et la tête pour qu'elles soient d'équerre. Enlevez le surplus de scellant à la silicone avec de l'alcool à friction.

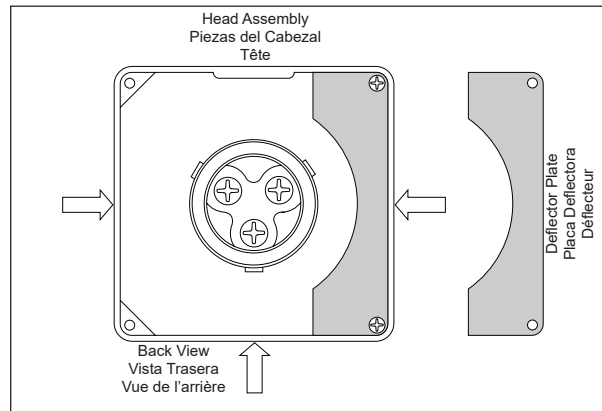
3 Optional Installation Instalación opcional Installation facultative



IMPORTANT: A silicone boot is provided and should be installed to protect against accidental contact with the hot surface temperature of the steam head, which can reach approximately 212° during operation.

IMPORTANT: Se proporciona una bota de silicona y debe instalarse para proteger contra el contacto accidental con la temperatura de la superficie caliente del cabezal de vapor, que puede alcanzar aproximadamente 212° durante la operación.

IMPORTANT : Un boîtier en silicone est fournie et doit être installée pour protéger contre tout contact accidentel avec la température de surface chaude de la tête de vapeur, qui peut atteindre environ 212° pendant le fonctionnement.



If needed to improve bather comfort the included optional steam deflector can be installed to block the flow of steam from any of the shown sides of the steam head.

Si es necesario para mejorar la comodidad del bañista, se puede instalar el deflector de vapor opcional que se incluye para bloquear el flujo de vapor desde cualquiera de los lados mostrados del cabezal de vapor.

Au besoin, pour améliorer le confort de l'utilisateur, le déflecteur peut être installé afin d'empêcher la vapeur de jaillir par l'un ou l'autre des côtés de la tête de vapeur montrés sur la figure.

Limited Warranty on Delta® Steam Bath and Steam Shower Products *Applicable to products purchased and installed in the USA and Canada*

Residential Steam Bath Generators: Delta Faucet Company ("DFC") warrants to the original consumer purchaser that the parts (except for electronic parts) of its residential steam bath generator purchased from authorized Delta sellers will be free from defects in materials and workmanship for as long as the original consumer purchaser owns the home in which the steam bath was originally installed. This lifetime limited warranty does not apply to residential steam bath generators that are used in commercial applications (as defined herein).

Residential Electronic Parts, Controls, Spa Options and Accessories: DFC warrants to the original consumer purchaser that the electronic parts of its steam bath generator and its controls, spa options and accessories purchased from authorized Delta sellers will be free from defects in materials and workmanship for a period of two (2) years from the date that the product is received by the original consumer purchaser or their authorized representative (installation contractor, etc.). This two-year limited warranty does not apply to controls, spa options, electronic parts and accessories that are used in commercial applications (as defined herein).

Commercial Warranty: For the purposes of this warranty the term "commercial application" refers to installation in any setting in which the product is not being used for personal household use, including but not limited to hospitality applications, day spas, short-term and long-term rentals and gyms.

DFC warrants that the parts (including electronic parts) of its steam bath generators (including steam bath generators with model numbers beginning with 5COM, which are intended solely for heavy commercial use), equipment, controls, electronic parts, spa options and accessories purchased from authorized Delta sellers and used in a commercial application will be free from defects in materials and workmanship for a period of one (1) year from the date that the product is received by the original purchaser or their authorized representative (installation contractor, etc.).

What We Will Do: DFC will, at its option, repair or replace, free of charge, any part that proves defective in material and/or workmanship under normal installation, use and service during the applicable warranty period as stated above. DFC may elect to refund the purchase price. Replacement parts are subject to availability and may differ from those originally supplied.

For residential applications, two (2) years following the date that the product was received by the original consumer purchaser or their authorized representative (installation contractor, etc.), and with prior approval by DFC, DFC will pay for labor for repair/replacement associated with warranty coverage. Thereafter, DFC will not pay for labor associated with removal/repair/replacement of products covered by this warranty.

For commercial applications, DFC will, with prior approval by DFC, pay for labor associated with warranty coverage for ninety (90) days from the date that the product is received by the original purchaser or their authorized representative (installation contractor, etc.). Thereafter, DFC will not pay for labor associated with removal/repair/replacement of products covered by this warranty. **These are the consumer's exclusive remedies.**

What Is Not Covered: Because DFC is unable to control the quality of Delta products sold by unauthorized sellers, unless otherwise prohibited by law, this warranty does not cover Delta products purchased from unauthorized sellers. This warranty does not cover damage caused by improper or negligent installation or use. Provided that DFC is paying

the cost of the labor under the terms above, this warranty does not cover repairs attempted by any person other than an authorized DFC agent and shall be limited to the repair or replacement of defective parts by DFC or its authorized agent. **This warranty is void if any of the following should occur:**

- The use of the product for an unintended application, including the commercial application of a product that is not intended for commercial use.
- Failure to follow instructions, including care, cleaning and usage instructions, provided in the product's owner's manual.
- The product's serial number has been altered or removed.
- The product is modified in any manner which DFC concludes, after its inspection, affects the reliability of the product.
- The product has been improperly repaired by anyone not specifically designated or authorized by DFC.
- The product is damaged because it is not operated or installed in accordance with supplied instructions.
- The product is installed outdoors.
- The product is installed in a moist and/or humid area with unconditioned air or temperatures that exceed 104 degrees Fahrenheit.
- The product is damaged due to freezing.
- The product is damaged by acts of God.

How to Make a Warranty Claim: To obtain warranty repair or replacement, contact DFC at: 800-394-6478 or steam-prodserv@deltafaucet.com to receive an RGA# (Return Goods Authorization number) which must be on the carton that is returned via UPS Ground or equivalent. Proof of purchase (original sales receipt showing purchase date) identifying the model and serial number and documentation of the date of receipt of the product by the original purchaser or their authorized representative (installation contractor, etc.) must accompany all warranty claims.

Limitation on Duration of Implied Warranties: Please note that some states/provinces (including Quebec) do not allow limitations on how long an implied warranty lasts, so the below limitations may not apply to you. TO THE MAXIMUM EXTENT PERMITTED BY APPLICABLE LAW, ANY IMPLIED WARRANTY, INCLUDING THE IMPLIED WARRANTIES OF MERCHANTABILITY AND OF FITNESS FOR A PARTICULAR PURPOSE, IS LIMITED TO THE STATUTORY PERIOD OR THE DURATION OF THIS WARRANTY, WHICHEVER IS SHORTER.

Limitation of Special, Incidental or Consequential Damages: Please note that some states/provinces (including Quebec) do not allow the exclusion or limitation of special, incidental or consequential damages, so the below limitations and exclusions may not apply to you. TO THE MAXIMUM EXTENT PERMITTED BY APPLICABLE LAW, THIS WARRANTY DOES NOT COVER, AND DFC SHALL NOT BE LIABLE FOR, ANY SPECIAL, INCIDENTAL OR CONSEQUENTIAL DAMAGES WHETHER ARISING OUT OF BREACH OF ANY EXPRESS OR IMPLIED WARRANTY, BREACH OF CONTRACT, TORT, OR OTHERWISE.

Additional Rights: This warranty gives you specific legal rights, and you may also have other rights which vary from state/province to state/province. This is DFC's exclusive written warranty and the warranty is not transferable.

Garantía limitada de los productos Delta® Steam Bath y Steam Shower *Aplicable a productos comprados e instalados en EE. UU. y Canadá*

Generadores de baños de vapor residenciales: Delta Faucet Company ("DFC") garantiza al comprador consumidor original que las partes (excepto las partes electrónicas) de su generador de baño de vapor residencial comprado a vendedores autorizados de Delta estarán libres de defectos en materiales y de fabricación durante el tiempo que el comprador consumidor original es dueño de la casa en la que se instaló originalmente el baño de vapor. Esta garantía limitada de por vida no se aplica a los generadores de baños de vapor residenciales que se utilizan en aplicaciones comerciales (como se define en este documento).

Piezas electrónicas residenciales, controles, opciones de spa y accesorios: DFC garantiza al comprador consumidor original que las partes electrónicas de su generador de baño de vapor y sus controles, opciones de spa y accesorios comprados a vendedores autorizados de Delta estarán libres de defectos en materiales y de fabricación durante un período de dos (2) años a partir de la fecha que el producto es recibido por el comprador consumidor original o su representante autorizado (contratista de instalación, etc.). Esta garantía limitada de dos años no se aplica a los controles, las opciones de spa, las piezas electrónicas y los accesorios que se utilizan en aplicaciones comerciales (como se define en este documento).

Garantía Comercial: A los efectos de esta garantía, el término "aplicación comercial" se refiere a la instalación en cualquier entorno en el que el producto no se utilice para uso doméstico personal, incluidas, entre otras, aplicaciones de hospitalidad, spas de día y servicios a corto y largo plazo, alquileres a plazo y gimnasios.

DFC garantiza que las piezas (incluidas las piezas electrónicas) de sus generadores de baños de vapor (incluidos los generadores de baños de vapor con números de modelo que comienzan con 5COM, que están destinados únicamente para un uso comercial pesado), los equipos, controles, piezas electrónicas, opciones de spa y accesorios comprados a vendedores autorizados de Delta y utilizados en una aplicación comercial estarán libres de defectos de materiales y mano de obra durante un período de un (1) año a partir de la fecha en que el comprador original o su representante autorizado (contratista de instalación, etc.) recibió el producto.

Lo que haremos: DFC, a su elección, reparará o reemplazará, sin cargo, cualquier pieza que presente defectos de material y/o de fabricación en condiciones normales de instalación, uso y servicio durante el período de garantía aplicable como se indicó anteriormente. DFC puede optar por reembolsar el precio de compra. Las piezas de repuesto están sujetas a disponibilidad y pueden ser diferentes a las suministradas originalmente.

Para aplicaciones residenciales, dos (2) años a partir de la fecha en que el producto fue recibido por el comprador consumidor original o su representante autorizado (contratista de instalación, etc.), y con la aprobación previa de DFC, DFC pagará la mano de obra para la reparación/reemplazo asociada con la cobertura de la garantía. A partir de entonces, DFC no pagará la mano de obra asociada con la extracción/reparación/reemplazo de los productos cubiertos por esta garantía.

Para aplicaciones comerciales, DFC, con la aprobación previa de DFC, pagará la mano de obra asociada con la cobertura de la garantía durante noventa (90) días a partir de la fecha en que el comprador original o su representante autorizado (contratista de instalación, etc.) recibió el producto. A partir de entonces, DFC no pagará la mano de obra asociada con la extracción/reparación/reemplazo de los productos cubiertos por esta garantía. **Estos son recursos exclusivos del consumidor.**

Lo que no está cubierto: Debido a que DFC no puede controlar la calidad de los productos DFC vendidos por vendedores no autorizados, a menos que la ley lo prohíba, esta garantía no cubre los productos DFC comprados a vendedores no autorizados.

Esta garantía no cubre los daños causados por una instalación o uso inadecuado o negligente. Siempre que DFC pague el costo de la mano de obra según los términos anteriores, esta garantía no cubre las reparaciones intentadas

por cualquier persona que no sea un agente autorizado de DFC y se limitará a la reparación o reemplazo de piezas defectuosas por parte de DFC o su agente autorizado.

Esta garantía queda anulada si ocurre cualquiera de lo siguiente:

- El uso del producto para una aplicación no prevista, incluida una aplicación de un producto que no está destinado para uso comercial.
- No seguir las instrucciones, incluidas las instrucciones de cuidado, limpieza y uso, proporcionadas en el manual del propietario del producto.
- El número de serie del producto ha sido alterado o eliminado.
- El producto se modifica de cualquier manera que DFC concluya, después de su inspección, que afecta la confiabilidad del producto.
- El producto ha sido reparado incorrectamente por alguien que no ha sido específicamente designado o autorizado por DFC.
- El producto está dañado porque no se operó o instaló de acuerdo con las instrucciones proporcionadas.
- El producto está instalado al aire libre.
- El producto está instalado en un área húmeda y/o húmeda con aire no acondicionado o temperaturas que exceden los 104 grados Fahrenheit.
- El producto está dañado debido a la congelación.
- El producto está dañado por fuerza mayor.

Cómo hacer un reclamo de garantía: Para obtener reparación o reemplazo en garantía, comuníquese con Delta al: 800-355-6478 o steam-prodserv@deltafaucet.com para recibir un RGA# (Número de autorización de devolución de mercancías) que debe estar en la caja que se devuelve a través de UPS Ground o el equivalente. El comprobante de compra (recibo de compra original que muestre la fecha de compra) que identifique el modelo y el número de serie y la documentación de la fecha de recepción del producto por parte del comprador original o su representante autorizado (contratista de instalación, etc.) debe acompañar todos los reclamos de garantía.

Limitación de la duración de las garantías implícitas: Tenga en cuenta que algunos estados/provincias (incluido Quebec) no permiten limitaciones sobre la duración de una garantía implícita, por lo que es posible que las siguientes limitaciones no se apliquen en su caso. EN LA MEDIDA MÁXIMA PERMITIDA POR LA LEY APLICABLE, CUALQUIER GARANTÍA IMPLÍCITA, INCLUIDAS LAS GARANTÍAS IMPLÍCITAS DE COMERCIABILIDAD E IDONEIDAD PARA UN FIN DETERMINADO, SE LIMITA AL PERÍODO LEGAL O A LA DURACIÓN DE ESTA GARANTÍA, EL QUE SEA MÁS BREVE.

Limitación de daños especiales, incidentales o consecuentes: Tenga en cuenta que algunos estados/provincias (incluido Quebec) no permiten la exclusión o limitación de daños especiales, incidentales o consecuentes, por lo que es posible que las siguientes limitaciones y exclusiones no se apliquen en su caso. EN LA MEDIDA MÁXIMA PERMITIDA POR LA LEY APLICABLE, ESTA GARANTÍA NO CUBRE, Y DFC NO SERÁ RESPONSABLE DE NINGÚN DAÑO ESPECIAL, INCIDENTAL O CONSECUENTE QUE SURJA DEL INCUMPLIMIENTO DE CUALQUIER GARANTÍA EXPLÍCITA O IMPLÍCITA, INCUMPLIMIENTO DE CONTRATO, AGRAVIO O DE OTRA MANERA.

Derechos adicionales: Esta garantía le otorga derechos legales específicos, y es posible que también tenga otros derechos que varían de un estado/provincia a otro estado/provincia. Esta es la garantía escrita exclusiva de Delta y la garantía no es transferible.

Garantie limitée des douches à vapeur et des bains de vapeur Delta® *Aplicable aux produits achetés et installés aux États-Unis et au Canada*

Générateurs pour bain de vapeur résidentiel: Delta Faucet Company (« DFC ») garantit à l'acheteur au détail initial que les pièces (sauf les pièces électroniques) de ce générateur pour bain de vapeur résidentiel achetées de vendeurs Delta autorisés sont exemptes de matériaux défectueux et de vices de fabrication. Cette garantie à vie limitée est valide aussi longtemps que l'acheteur au détail initial possède la maison dans laquelle le bain de vapeur a été installé. Elle ne s'applique pas aux générateurs pour bain de vapeur résidentiels utilisés dans des applications commerciales (définies dans le présent document).

Pièces électroniques, commandes, options de spa et accessoires résidentiels: DFC garantit à l'acheteur au détail initial que les pièces électroniques de son générateur pour bain de vapeur ainsi que les commandes, les options de spa et les accessoires achetés de vendeurs Delta autorisés seront exemptes de matériaux défectueux et de vices de fabrication pendant une période de deux (2) ans calculée à compter de la date de réception du produit par l'acheteur au détail initial ou son représentant autorisé (entrepreneur chargé de l'installation, etc.). Cette garantie limitée de deux ans ne s'applique pas aux commandes, aux options de spa, aux pièces électroniques et aux accessoires qui sont utilisés dans des applications commerciales (définies dans le présent document).

Garantie pour les applications commerciales: Dans le libellé de la présente garantie, « applications commerciales » désigne toute installation dans des lieux où le produit n'est pas utilisé par un ménage, y compris, sans s'y limiter, les lieux d'accueil, les spas de jour, les lieux d'hébergement loués à court et à long termes ainsi que les salles de conditionnement physique.

DFC garantit que les pièces (y compris les pièces électroniques) de ses générateurs pour bain de vapeur (y compris les générateurs pour bain de vapeur dont le numéro de modèle débute par 5COM), l'équipement, les commandes, les pièces électroniques, les options de spa et les accessoires achetés de vendeurs Delta autorisés et utilisés dans des applications commerciales seront exemptes de matériaux défectueux et de vices de fabrication pendant une période d'un (1) an calculée à compter de la date de réception du produit par l'acheteur initial ou son représentant autorisé (entrepreneur chargé de l'installation, etc.).

Ce que nous ferons: À sa discrétion, DFC réparera ou remplacera, sans frais, toute pièce ayant été installée, utilisée et entretenue normalement qui comportera un matériau défectueux et/ou présentera un vice de fabrication pendant la période de garantie susmentionnée. DFC pourra décider de rembourser le prix d'achat. Les pièces de rechange seront fournies sous réserve de leur disponibilité et elles pourront être différentes de celles fournies initialement.

Dans le cas des applications résidentielles, au cours de la période de deux (2) ans qui suivra la réception du produit par l'acheteur au détail initial ou son représentant autorisé (entrepreneur chargé de l'installation, etc.) et sous réserve de l'approbation au préalable de DFC, DFC paiera la main-d'œuvre pour la réparation ou le remplacement des produits aux termes de la garantie. Par la suite, DFC ne paiera pas la main-d'œuvre nécessaire pour la dépose et la réparation ou le remplacement des produits couverts par la présente garantie.

Dans le cas des applications commerciales, DFC paiera, sous réserve de l'approbation au préalable de DFC, la main-d'œuvre associée à la couverture de la garantie pendant une période de quatre-vingt-dix (90) jours calculée à compter de la date de réception du produit par l'acheteur initial ou son représentant autorisé (entrepreneur chargé de l'installation, etc.). Par la suite, DFC ne paiera pas la main-d'œuvre nécessaire pour la dépose et la réparation ou le remplacement des produits couverts par la présente garantie. **Il s'agit des seuls recours du consommateur.**

Ce qui n'est pas couvert: Étant donné que DFC est incapable de contrôler la qualité des produits vendus par des vendeurs non autorisés, la présente garantie ne couvre pas les produits Delta vendus par des vendeurs non autorisés, à moins qu'une telle restriction soit interdite par la loi.

La présente garantie ne couvre pas les dommages causés par une installation ou une utilisation inappropriée ou négligente. Étant donné que DFC paie le coût de la main-d'œuvre selon les modalités susmentionnées, la présente

garantie ne couvre pas les réparations effectuées par une personne autre qu'un agent autorisé DFC et elle se limite à la réparation ou au remplacement des pièces défectueuses par DFC ou son agent autorisé.

La présente garantie ne s'applique pas dans l'une ou l'autre des circonstances suivantes :

- L'utilisation du produit pour une application à laquelle il n'est pas destiné, y compris une application commerciale si le produit n'est pas destiné à un usage commercial.
- L'omission de respecter les instructions, notamment les instructions d'entretien, de nettoyage et d'utilisation, contenues dans le manuel du propriétaire du produit.
- Le numéro de série a été altéré ou effacé.
- Le produit a été modifié d'une manière quelconque qui, de l'avis de DFC, après inspection du produit, compromet la fiabilité de celui-ci.
- Le produit a été réparé incorrectement par une personne quelconque qui n'est pas désignée ou autorisée expressément par DFC.
- Le produit est endommagé parce qu'il n'a pas été installé conformément aux instructions fournies.
- Le produit est installé à l'extérieur.
- Le produit est installé dans un environnement humide et l'air n'est pas climatisé ou la température excède 40 degrés Celsius (104 degrés Fahrenheit).
- Le produit a été endommagé par le gel.
- Le produit a été endommagé en raison d'un acte fortuit.

Comment faire une réclamation aux termes de la garantie: Pour faire réparer ou remplacer le produit aux termes de la garantie, communiquez avec DFC au 800-394-6478 ou à steam-prodserv@deltafaucet.com afin d'obtenir un numéro d'autorisation de retour qui devra se trouver dans l'emballage retourné par l'intermédiaire de UPS Ground ou l'équivalent. La preuve d'achat (original du reçu montrant la date d'achat) indiquant le modèle et le numéro de série ainsi que la documentation indiquant la date de réception par l'acheteur initial ou son représentant autorisé (entrepreneur chargé de l'installation, etc.) doivent accompagner toutes les réclamations aux termes de la garantie.

Limitation de la durée des garanties implicites: Veuillez noter qu'il est interdit dans certains États et certaines provinces (y compris le Québec) de limiter la durée d'une garantie implicite. Par conséquent, les limites mentionnées ci-dessous peuvent ne pas s'appliquer à vous. DANS LA MESURE DE CE QUI EST PERMIS PAR LA LOI APPLICABLE, TOUTES LES GARANTIES IMPLÍCITES, Y COMPRIS LES GARANTIES IMPLÍCITES DE QUALITÉ MARCHANDE ET D'ADÉQUATION À UN USAGE PARTICULIER, SE LIMITENT À LA PÉRIODE FIXÉE PAR LA LOI OU À LA DURÉE DE LA PRÉSENTE GARANTIE, LA PLUS COURTE DES DEUX PÉRIODES S'APPLIQUANT.

Limitation des dommages particuliers, consécutifs ou indirects: Veuillez noter qu'il est interdit dans certains États et certaines provinces (y compris le Québec) d'exclure ou de limiter les dommages particuliers, consécutifs ou indirects. Par conséquent, les exclusions et les limites mentionnées ci-dessous peuvent ne pas s'appliquer à vous. DANS LA MESURE DE CE QUI EST PERMIS PAR LE DROIT APPLICABLE, DFC SE DÉGAGE DE TOUTE RESPONSABILITÉ À L'ÉGARD DES DOMMAGES PARTICULIERS, CONSÉCUTIFS OU INDIRECTS, PEU IMPORTÉ QU'ILS DÉCOULENT D'UNE RUPTURE D'UNE GARANTIE IMPLÍCITE OU EXPLÍCITE, D'UNE RUPTURE DE CONTRAT, D'UN DÉLIT CIVIL OU D'UNE AUTRE CAUSE, ET CES DOMMAGES NE SONT PAS COUVERTS PAR LA GARANTIE.

Droits supplémentaires: La présente garantie vous procure des droits particuliers reconnus par la loi. Vous pouvez aussi avoir d'autres droits qui varient selon l'État ou la province. La présente garantie écrite est la seule garantie offerte par DFC et elle n'est pas transférable.



see what Delta can do™

113189



X00113189

5P-EST04, 5P-EST06, 5P-EST07 & 5P-EST10 SERIES GENERATOR INSTRUCTIONS

INSTRUCCIONES DEL GENERADOR SERIE 5P-EST04, 5P-EST06, 5P-EST07 Y 5P-EST10

INSTRUCTIONS CONCERNANT LES GÉNÉRATEURS DE VAPEUR DES SÉRIES 5P-EST04, 5P-EST06, 5P-EST07 ET 5P-EST10

Model Number: _____
Número del modelo
Numéro de modèle

Serial Number: _____
Número del serie
Matricule

Date of Purchase: _____
Fecha de compra
Date d'achat

Register Online
Regístrese en línea
S'enregistrer en ligne
www.deltafaucet.com/service-parts/product-registration

To reference replacement parts and access additional technical documents and product info, visit www.deltafaucet.com/service-parts

Para referencia sobre las piezas de repuesto y acceder a documentos técnicos adicionales e información del producto, visite www.deltafaucet.com/service-parts

Pour obtenir la référence des pièces de rechange ainsi que pour avoir accès à d'autres documents techniques et renseignements sur le produit, allez à www.deltafaucet.com/service-parts

1-800-394-6478
www.deltafaucet.com/service-parts/contact-us/

Read all instructions prior to installation.

CAUTION
Failure to read these instructions prior to installation may result in personal injury, property damage, or product failure. Manufacturer assumes no responsibility for product failure due to improper installation.

Lea todas las instrucciones antes de hacer la instalación.

ADVERTENCIA
El no leer estas instrucciones de instalación puede resultar en lesiones personales, daños a la propiedad, o falla en el funcionamiento del producto. El fabricante no asume ninguna responsabilidad por la falla del producto debido a una instalación incorrecta.

Veillez lire toutes les instructions avant l'installation.

AVERTISSEMENT
L'omission de lire les présentes instructions avant l'installation peut entraîner des blessures, des dommages matériels ou le bris du produit. Le fabricant se dégage de toute responsabilité à l'égard d'un bris du produit causé par une mauvaise installation.

NOTE: This generator series can only be operated with the included control. For a replacement control order EP103305▲.

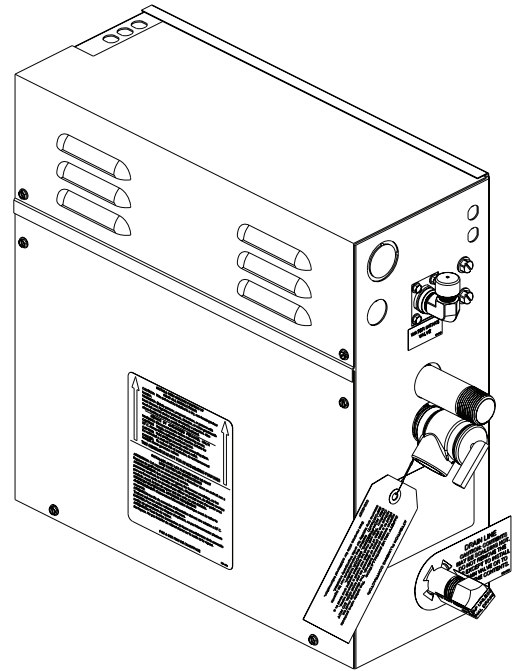
The steam generator is small enough in size to be tucked away in a vanity, closet, or basement, but large enough to provide steam for most residential baths. The 5P-EST series steam bath generator package comes factory assembled, carefully wired and tested.

NOTA: Esta serie de generadores solo se puede operar con el control que se incluye. Para un control de repuesto, ordene EP103305▲.

El generador de vapor es lo suficientemente pequeño como para guardarlo en un tocador, armario o sótano, pero lo suficientemente grande como para proporcionar vapor a la mayoría de los baños residenciales. El paquete generador de baño de vapor de la serie 5P-EST viene ensamblado de fábrica, cuidadosamente cableado y probado.

NOTE : Ce générateur peut fonctionner uniquement avec l'appareil de commande inclus. Pour remplacer l'appareil de commande, commandez l'article EP103305▲.

Le générateur de vapeur est suffisamment petit pour être installé dans un meuble-lavabo, un placard ou au sous-sol, mais il est assez puissant pour alimenter la plupart des bains de vapeur résidentiels en vapeur. Le bain de vapeur de la série 5P-EST a été assemblé, câblé soigneusement et testé en usine.



1

Plumbing Section Sección de Plomería Section plomberie

STEAM ROOM GUIDELINES

1. Steam room must be completely enclosed, with full walls, door, floor and ceiling.
2. It is recommended that a gasketed door is used for steam containment.
3. To prevent slip and fall hazards, non-slip flooring or non-slip floor strips must be installed in the steam room.
4. Check the suitability of any materials with Delta Faucet Company. Walls and ceilings must be constructed of water-resistant, non-corrosive surfaces, such as tile, marble, or other non-porous material. Avoid the use of plastic which may not be rated for the 212°F temperature of the steam exiting the steam head.
5. The ceiling should be sloped to "minimize" dripping of condensation. The recommended slope is 2" per foot.
6. Provide a floor drain.
7. No heating, venting or air conditioning devices should be installed inside the steam room.
8. Windows that are part of the steam room should be double paned and tempered safety glass.
9. For optimum performance, limit steam room ceiling height to 8 feet. Exceeding 8 feet may require a higher-rated steam generator.

NOTE: Max. ceiling height is 10 feet.

Pre-Installation

1. Be sure that the proper size Steam Generator has been selected by using the sizing page in the Full Line Brochure, Pricing Guide, The Generator Sizing Guide, The Configurator Tool Guide, or in the Residential Systems/Steam bath Product Information section of the Delta website - www.deltafaucet.com.

⚠ CAUTION

An improperly sized Steam Generator may NOT produce the amount of steam necessary to reach selected temperature.

2. For optimum performance, the Steam Generator should be located as close as possible to the Steam room, Shower or tub enclosure using a ¾" copper pipe (1/2" copper pipe is also acceptable, but not preferred due to the potential for increased system noise). If the steam pipe exceeds ten feet, it should be insulated using appropriate pipe insulation rated for a minimum of 212° F. Maximum steam pipe distance should be kept under 25 feet but not exceed a total of fifty linear feet. Refer to Installation Suggestions.

⚠ CAUTION

Do NOT install near flammable material such as paints, thinners, gasoline, etc.

⚠ CAUTION

Steam generators must NOT be installed outdoors, in moist, humid areas, in areas prone to freezing, or in extreme heat such as an unventilated attic. To do so will void the warranty.

Plumbing Rough-in

1. Plumbing is required for the water supply and steam line. This should be completed before the walls are closed. For operation, the 5P-EST04, 5P-EST06, 5P-EST07 & 5P-EST10 Steam Generator requires a ¾" O.D. copper tubing to the fitting on the Generator for water inlet and a ¾" copper or brass pipe for steam outlet.

NOTE: Pressure safety valve should be connected to a minimum 3/4" indirect waste or as required by local plumbing codes. In the event this valve should open, the discharge must be directed to prevent damage to the home.

2. Water Inlet - Rough in a water line, 120 PSI max, to the hot or cold supply. A shut off valve with a 3/8" connection to the steam generator is to be provided at the generator location (see Figure 3).
3. Steam Outlet - Rough in the steam line using a 3/4" copper or brass pipe; do NOT use black iron or galvanized pipe; it will rust and discolor the wall of the steam bath. Do NOT use any plastic type pipe or fittings. The steam head location should be 12" to 18" above the shower floor or 6" above the rim of the bathtub, and should be as far from the seating area as possible.

⚠ CAUTION

No shutoff valve can be installed in the steam line. Do NOT create traps or valleys in this line which would trap condensation and block the flow of steam. The steam pipe should be pitched allowing condensation to run back toward the Steam Generator (preferred), or toward the steam head. When installing multiple steam generators DO NOT interconnect the steam pipes. The steam line and safety valve reach a temperature of 212°F during operation and should be appropriately protected to prevent personal injury by accidental contact.

Steam Generator Installation

The Steam Generator should be mounted in a location convenient for hook-up and service by the plumber and electrician.

⚠ CAUTION

The Steam Generator is designed to be used ONLY in an upright and level position; to do otherwise would damage the unit and void the warranty.

1. The Steam Generator can be mounted to a wall or set on the floor. However, the unit must be secured. To secure the unit to a vertical wall, loosen the two screws holding the electrical access cover. Remove cover. Located inside the cabinet near the top left and right corners are mounting holes. Place top cover back and secure.
2. Connect the 3/8" water inlet to a shut off valve as described in **Plumbing rough-in step 2 (above)**. The valve must be kept in an open position during normal operation. In an area where water hammer is a problem install a water hammer arrestor in the line. Refer to Figure 2.

IMPORTANT: Do NOT use a "saddle valve" or piercing type valve for water connection.

3. Connect the steam line from rough-in location described in Section 2 to the 3/4" nipple on the Steam Generator using a union (not supplied).

DIRECTRICES DE LA SALA DE VAPOR

1. La sala de vapor debe estar completamente cerrada, con las paredes, puertas, pisos y techo terminado.
2. Se recomienda utilizar una puerta con juntas para contener el vapor.
3. Para evitar riesgos de resbalones y caídas, se deben instalar pisos antideslizantes o tiras antideslizantes en el baño de vapor.
4. Verifique la idoneidad de cualquier material con el Delta Faucet Company. Las paredes y los techos deben estar contruidos con superficies resistentes al agua y no corrosivas, como baldosas, mármol u otro material no poroso. Evite el uso de plástico que no esté clasificado para la temperatura de 212°F del vapor que sale del cabezal de vapor.
5. El techo debe estar inclinado para "minimizar" el goteo de condensado. La pendiente recomendada es de 2" por pie.
6. Proporcione un desagüe en el piso.
7. No se deben instalar dispositivos de calefacción, ventilación o aire acondicionado dentro de la sala de vapor.
8. Las ventanas que forman parte del baño de vapor deben ser de doble panel y vidrio de seguridad templado.
9. Para un rendimiento óptimo, limite la altura del techo de la sala de vapor a 8 pies. Exceder los 8 pies puede requerir un generador de vapor de mayor capacidad.

NOTA: Máx. la altura del techo es de 10 pies.

Pre-Instalación

1. Asegúrese de haber seleccionado el generador de vapor del tamaño adecuado utilizando la página de dimensionamiento en el Folleto de la línea completa, la Guía de precios, la Guía de dimensionamiento del generador, la Guía de herramientas del configurador o en la sección de Información de productos de sistemas residenciales/baños de vapor del sitio web de Delta - www.deltafaucet.com.

⚠ ADVERTENCIA

Es posible que un generador de vapor de tamaño incorrecto NO produzca la cantidad de vapor necesario para alcanzar la temperatura seleccionada.

2. Para un rendimiento óptimo, el generador de vapor debe ubicarse lo más cerca posible del recinto de la sala de vapor, la regadera o la bañera utilizando un tubo de cobre de 3/4" (el tubo de cobre de 1/2" también es aceptable, pero no es el preferido debido a la potencial de aumento del ruido del sistema). Si la tubería de vapor excede los diez pies, debe aislarse con un aislamiento de tubería adecuado clasificado para un mínimo de 212° F. La distancia máxima de la tubería de vapor debe mantenerse por debajo de los 25 pies, pero no exceder un total de cincuenta pies lineales. Consulte Sugerencias de instalación.

⚠ ADVERTENCIA

NO instale cerca de materiales inflamables como pinturas, diluyentes, gasolina, etc.

⚠ ADVERTENCIA

Los generadores de vapor NO deben instalarse al aire libre, en áreas húmedas, en áreas propensas a la congelación o al calor extremo, como un ático sin ventilación. Hacerlo anulará la garantía.

Instalación de fontanería

1. Se requiere plomería para el suministro de agua y la línea de vapor. Esto debe completarse antes de cerrar las paredes. Para su funcionamiento, el generador de vapor 5P-EST04, 5P-EST06, 5P-EST07 y 5P-EST10 requiere un diámetro externo de 3/8" tubo de cobre al accesorio del Generador para la entrada de agua y un tubo de cobre o latón de 3/4" para la salida de vapor.

NOTA: La válvula de seguridad de presión debe conectarse a un desagüe indirecto mínimo de 3/4" o según lo requieran los códigos de plomería locales. En el improbable caso de que esta válvula se abra, la descarga debe dirigirse de manera que evite daños a la casa.

2. Entrada de agua: instale una línea de agua en la fontanería, 120 PSI máx., al suministro de agua caliente o fría. Se debe proporcionar una válvula de cierre con una conexión de 3/8" al generador de vapor en la ubicación del generador (consulte la Figura 3).
3. Salida de vapor - Empalme la línea de vapor con un tubo de cobre o latón de 3/4"; NO use tubería de hierro negro o galvanizada; oxidará y decolorará la pared del baño de vapor. NO utilice ningún tipo de tubería o accesorios plásticos. La ubicación del cabezal de vapor debe ser de 12" a 18" por encima del piso de la regadera o 6" por encima del borde de la bañera, y debe estar lo más lejos posible del área de asientos.

⚠ ADVERTENCIA

No se puede instalar una válvula de cierre en la línea de vapor. NO cree trampas o valles en esta línea que atraparían condensación y bloquearía el flujo de vapor. La tubería de vapor debe estar inclinada para permitir que la condensación regrese hacia el generador de vapor (preferido) o hacia el cabezal de vapor. Cuando instale varios Generadores de Vapor, NO interconecte las tuberías de vapor. La línea de vapor y la válvula de seguridad alcanzan una temperatura de 212°F durante el funcionamiento y deben protegerse adecuadamente para evitar lesiones personales por contacto accidental.

Instalación del Generador de Vapor

El Generador de Vapor debe montarse en un lugar conveniente para que el plomero y el electricista puedan conectarlo y repararlo.

⚠ ADVERTENCIA

El Generador de Vapor está diseñado para usarse ÚNICAMENTE en posición vertical y nivelada; de lo contrario, dañaría la unidad y anularía la garantía.

1. El Generador de Vapor puede montarse en una pared o colocarse en el suelo. Sin embargo, la unidad debe estar asegurada. Para fijar la unidad a una pared vertical, afloje los dos tornillos que sujetan la cubierta de acceso eléctrico. Retire la cubierta. Dentro del gabinete, cerca de las esquinas superiores izquierda y derecha, se encuentran los orificios de montaje. Vuelva a colocar la cubierta superior y asegúrela.
2. Conecte el tubo de entrada de agua de 3/8" a una válvula de cierre como se describe en Instalación de la fontanería en el paso 2 (arriba). La válvula debe mantenerse en una posición abierta durante el funcionamiento normal. En un área donde el golpe de ariete sea un problema, instale un supresor de golpe de ariete en la línea. Consulte la Figura 2.

IMPORTANTE: NO utilice una "válvula de silla de drenaje" o una válvula de tipo perforante para la conexión de agua.

3. Conecte la línea de vapor desde el lugar de empalme descrito en la Sección 2 al niple de 3/4" en el Generador de Vapor usando una unión (no provista).

DIRECTIVES CONCERNANT L'ENCEINTE DE VAPEUR

1. L'enceinte de vapeur doit être complètement fermée, c'est-à-dire qu'elle doit être isolée par des murs, une porte, un plancher et un plafond.
2. Il est recommandé que la porte soit munie d'un joint afin qu'elle puisse retenir la vapeur.
3. Pour prévenir les pertes d'équilibre et les chutes, un revêtement de plancher antidérapant ou des bandes antidérapantes doivent être installés dans l'enceinte de vapeur.
4. Consultez le Delta Faucet Company pour vous assurer que le matériau convient. Les murs et le plafond doivent être constitués d'un matériau imperméable qui résiste à la corrosion comme les carreaux de céramique ou le marbre ou d'un autre matériau non poreux. Évitez d'utiliser un plastique qui peut ne pas être homologué pour la température de 100 °C (212 °F) de la vapeur qui s'échappe de la tête de vapeur.
5. Le plafond doit être incliné pour empêcher autant que possible le condensat de dégoutter. La pente recommandée est de 2 po au pied.
6. Installez un avaloir de sol.
7. N'installez pas d'appareil de chauffage ou de climatisation ni d'évent à l'intérieur de l'enceinte de vapeur.
8. Les fenêtres de l'enceinte de vapeur doivent être du type à double vitrage et constituées de verre de sécurité trempé.
9. Pour obtenir un rendement optimal, limitez la hauteur du plafond de l'enceinte de vapeur à 8 pieds. Si la hauteur excède 8 pieds, un générateur de vapeur plus puissant pourra être requis.

NOTE : La hauteur maximale du plafond est de 10 pieds.

Avant l'installation

1. Prenez soin de sélectionner un générateur de vapeur de la bonne puissance en consultant la page de caractéristiques de puissance dans la brochure complète, le guide des prix, le guide de sélection de la puissance du générateur, l'outil de configuration ou la section du site Web de Delta – www.deltafaucet.com qui renferme de l'information sur les systèmes et les bains de vapeur résidentiels.

⚠ ATTENTION

Un générateur de vapeur n'ayant pas les caractéristiques de puissance requises pourra **NE PAS** produire la quantité de vapeur nécessaire à l'atteinte de la température recherchée.

2. Pour qu'il puisse procurer un rendement optimal, le générateur de vapeur doit se trouver aussi près que possible de l'enceinte de vapeur, de la douche ou de l'enceinte de baignoire et un tuyau de cuivre de 3/4 po doit être utilisé (l'utilisation d'un tuyau de cuivre de 1/2 po est acceptable, mais elle n'est pas la meilleure solution car elle peut accroître le bruit produit par le système). Si la longueur du tuyau de vapeur excède 10 pieds, celui-ci doit être recouvert d'un isolant à tuyauterie homologué pour une température minimale de 100 °C (212 °F). La distance parcourue par le tuyau de vapeur doit être inférieure à 25 pieds et la longueur de celui-ci ne doit pas dépasser cinquante pieds linéaires. Consultez les Méthodes d'installation proposées.

⚠ ATTENTION

N'installez **PAS** le générateur près d'un endroit où sont conservés des produits inflammables : peinture, diluant à peinture, essence, etc.

⚠ ATTENTION

Le générateur de vapeur **NE DOIT PAS** être installé à l'extérieur dans un endroit où il sera exposé à l'humidité ou au gel ni dans un endroit comme un grenier non ventilé où il sera exposé à une chaleur extrême. Le générateur de vapeur ne sera pas protégé par la garantie s'il a été installé dans l'un de ces endroits.

Plomberie brute

1. La plomberie brute est requise pour l'alimentation en eau et l'acheminement de la vapeur. Elle doit être installée avant que les murs soient fermés. Un tuyau de cuivre de 3/8 po DE doit être raccordé à l'entrée d'eau des générateurs des séries 5P-EST04, 5P-EST06, 5P-EST07 et 5P-EST10 et un tuyau de cuivre ou de laiton de 3/4 po doit être raccordé à leur sortie de vapeur.

NOTE: La soupape de sûreté doit être raccordée à un tuyau d'évacuation d'au moins 3/4 po selon la méthode de raccordement indirect ou les exigences du code de la plomberie en vigueur dans la région de telle sorte que, dans l'éventualité peu probable où la soupape s'ouvrirait, l'eau évacuée serait dirigée de manière à ne pas endommager la maison.

2. Entrée d'eau – Installez un tuyau d'alimentation en eau froide ou en eau chaude, homologué pour une pression de 120 lb/po max. Un robinet d'arrêt de 3/8 po doit être monté dans le tuyau d'alimentation du générateur de vapeur à l'endroit où se trouvera le générateur de vapeur (reportez-vous à la figure 3).
3. Sortie de vapeur – Le tuyau de vapeur doit être en cuivre ou en laiton et il doit avoir un diamètre de 3/4 po. **ÉVITEZ** d'utiliser un tuyau en fer ou en acier galvanisé. Ce matériau rouille et tachera le mur du bain de vapeur. **ÉVITEZ** d'utiliser un tuyau et des raccords en plastique, peu importe leur type. La tête de vapeur doit se trouver à une hauteur comprise entre 12 po et 18 po par rapport au plancher de la douche ou à 6 po au-dessus du rebord de la baignoire et elle doit être située aussi loin que possible de la place où s'assoit l'utilisateur.

⚠ ATTENTION

Évitez d'installer un robinet d'arrêt dans le tuyau de vapeur. **NE CRÉEZ PAS** de pièges ni de creux qui retiendraient la condensation et bloqueraient la circulation de la vapeur. Le tuyau de vapeur doit être incliné de manière que la condensation retourne vers le générateur de vapeur (de préférence) ou qu'elle s'écoule vers la tête de vapeur. Si vous installez plusieurs générateurs de vapeur, **ÉVITEZ** d'interconnecter les tuyaux de vapeur. Le tuyau de vapeur et la soupape de sûreté atteignent une température de 100 °C (212 °F) pendant le fonctionnement du générateur et ils doivent être isolés de manière appropriée pour prévenir les blessures en cas de contact accidentel.

Installation du générateur de vapeur

Le générateur de vapeur doit être installé à un endroit où il peut être branché et entretenu facilement par un plombier et un électricien.

⚠ ATTENTION

Le générateur de vapeur est conçu pour être utilisé **UNIQUEMENT** alors qu'il se trouve debout et de niveau. Un générateur de vapeur installé dans une autre position ne sera pas protégé par la garantie.

1. Le générateur de vapeur peut être monté au mur ou placé sur le plancher. Il doit toutefois être fixé. Pour le fixer à un mur vertical, desserrez les deux vis qui retiennent le couvercle d'accès aux composants électriques. Retirez le couvercle. Des trous de montage sont situés à l'intérieur du boîtier près des coins supérieurs gauche et droit. Remettez le couvercle supérieur en place et fixez-le.
2. Raccordez l'entrée d'eau de 3/8 po à un robinet d'arrêt de la manière décrite à l'étape 2 de la section Plomberie brute (qui précède). Le robinet doit être ouvert lorsque l'appareil fonctionne. Si les coups de bélier posent un problème, installez un dispositif anti-bélier (non fourni) dans le tuyau. Reportez-vous à la figure 2.

IMPORTANT : **ÉVITEZ** d'utiliser un robinet-vanne à étrier ou un robinet de type perceur pour raccorder le tuyau d'alimentation en eau.

3. Raccordez le tuyau de vapeur de la plomberie brute décrit dans la section 2 au manchon fileté de 3/4 po du générateur de vapeur au moyen d'un raccord-union (non fourni).

Figure 2 - Plumbing Diagram/Diagrama de la plomería/Schéma de plomberie

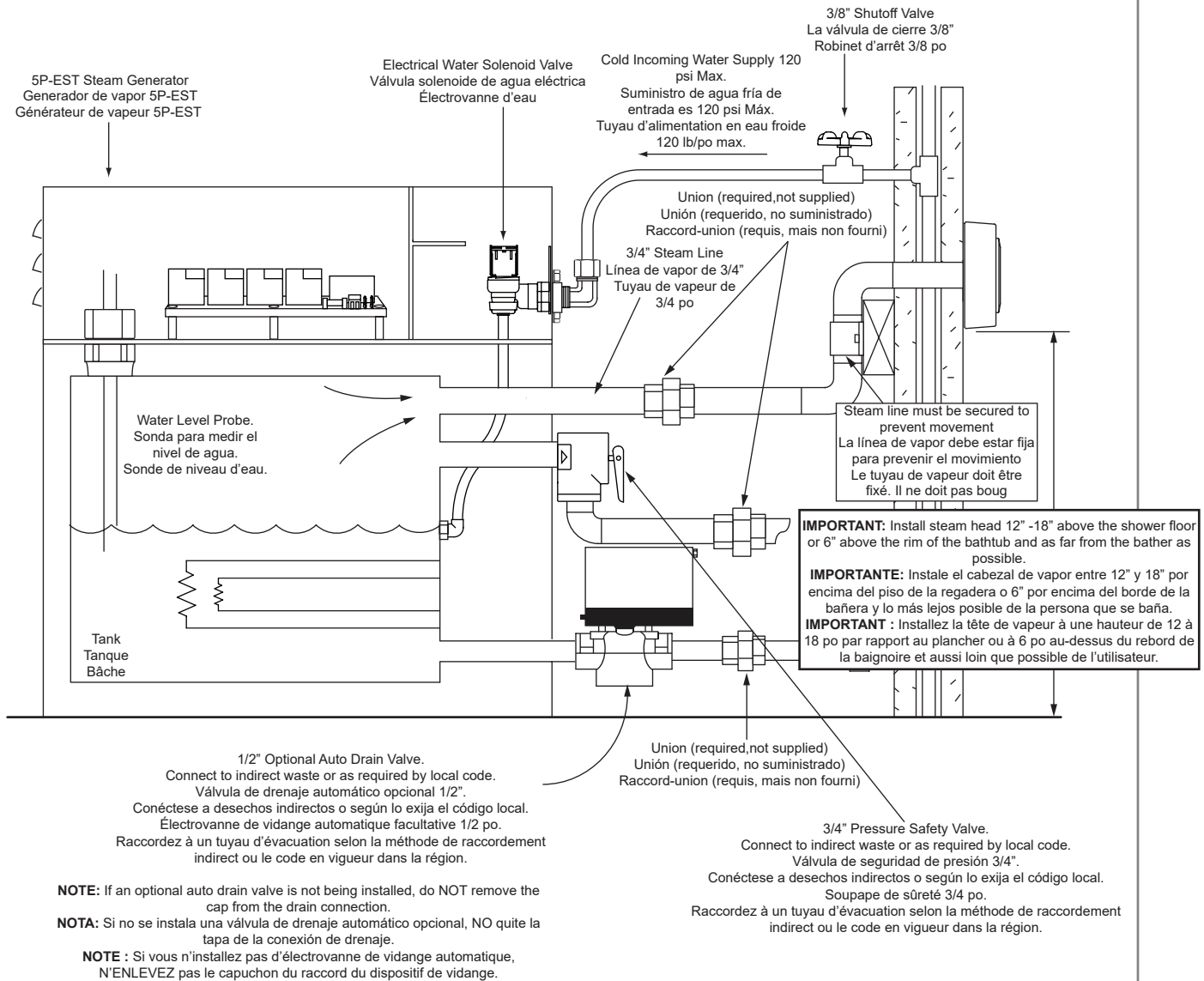
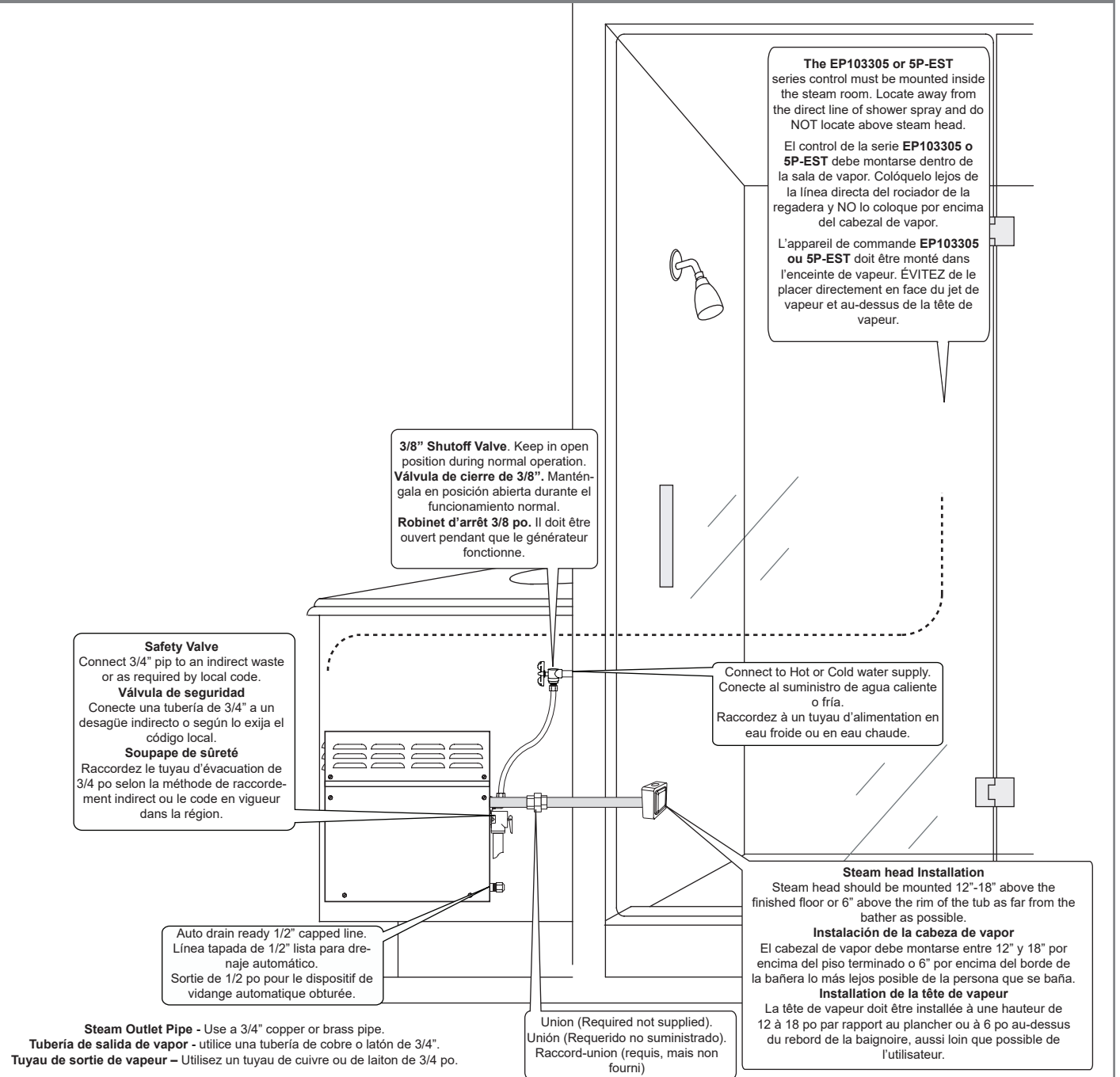


Figure 3 - Typical Installation
 Figura 3 - Instalación típica
 Figure 3 – Installation typique



⚠ CAUTION

Do NOT install a shutoff valve on the steam outlet pipe. Do NOT create traps or valleys in this line which would prevent the flow of steam. The steam outlet pipe should be pitched toward the steam generator (preferred), allowing condensation to run back into the steam generator or toward the steam head. If the steam pipe exceeds ten feet, use an appropriate pipe insulation rated for a minimum of 212° F.

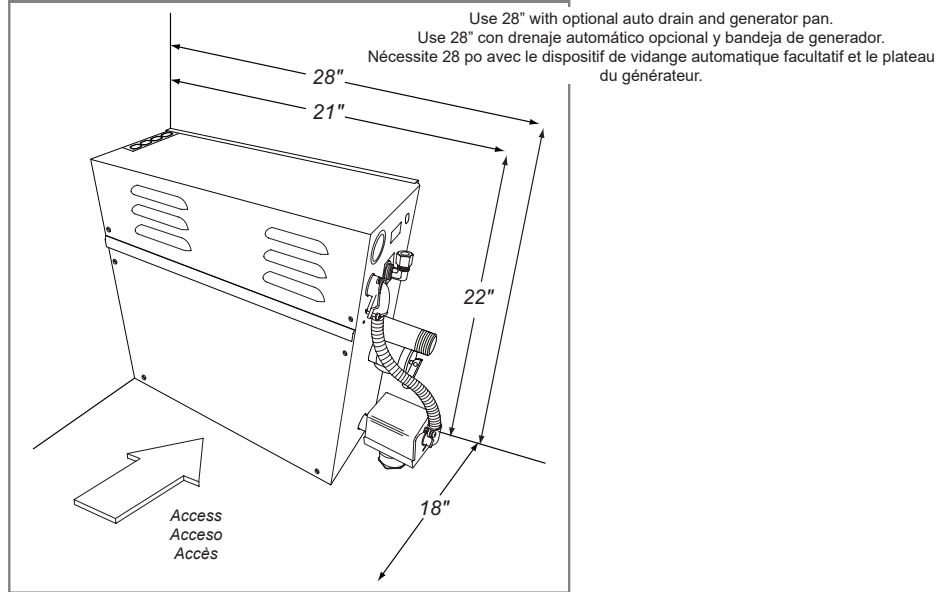
⚠ ADVERTENCIA

NO instale una válvula de cierre en la tubería de salida de vapor. NO cree trampas o valles en esta línea que impidan el flujo de vapor. La tubería de salida de vapor debe inclinarse hacia el generador de vapor (preferentemente), permitiendo que la condensación regrese al generador de vapor o hacia el cabezal de vapor. Si la tubería de vapor supera los diez pies, use un aislamiento de tubería adecuado clasificado para un mínimo de 212°F.

⚠ ATTENTION

ÉVITEZ d'installer un robinet d'arrêt dans le tuyau de sortie de vapeur. NE CRÉEZ PAS de pièges ni de creux qui empêcheraient la circulation de la vapeur. Le tuyau de sortie de vapeur doit être incliné vers le générateur de vapeur (de préférence), de manière que la condensation retourne vers le générateur de vapeur ou vers la tête de vapeur. Si la longueur du tuyau de vapeur excède dix pieds, recouvrez celui-ci d'un isolant à tuyauterie adéquat homologué pour une température d'au moins 100 °C (212 °C).

Figure 4
Figura 4
Figure 4



Select a location for mounting the steam generator that is accessible for installation and service. The access requirement indicates the minimum space for convenient access to steam generator.

CAUTION

All models must be installed **INDOORS**, in a **DRY, NON-FREEZING** location away from flammable materials such as: Gasoline, Paints, Thinners, Etc.

IMPORTANT: Steam generator must be installed upright and level. The serial number info should be visible and the steam generator should be accessible for service.

Seleccione una ubicación para montar el generador de vapor que sea accesible para la instalación y el servicio. El requisito de acceso indica el espacio mínimo para un acceso conveniente al generador de vapor.

ADVERTENCIA

Todos los modelos deben instalarse **EN EL INTERIOR** del domicilio, en un lugar **SECO, SIN CONGELACIÓN**, lejos de materiales inflamables como: gasolina, pinturas, diluyentes, etc.

IMPORTANTE: El generador de vapor debe instalarse en posición vertical y nivelada. La información del número de serie debe estar visible y el generador de vapor debe estar accesible para el servicio.

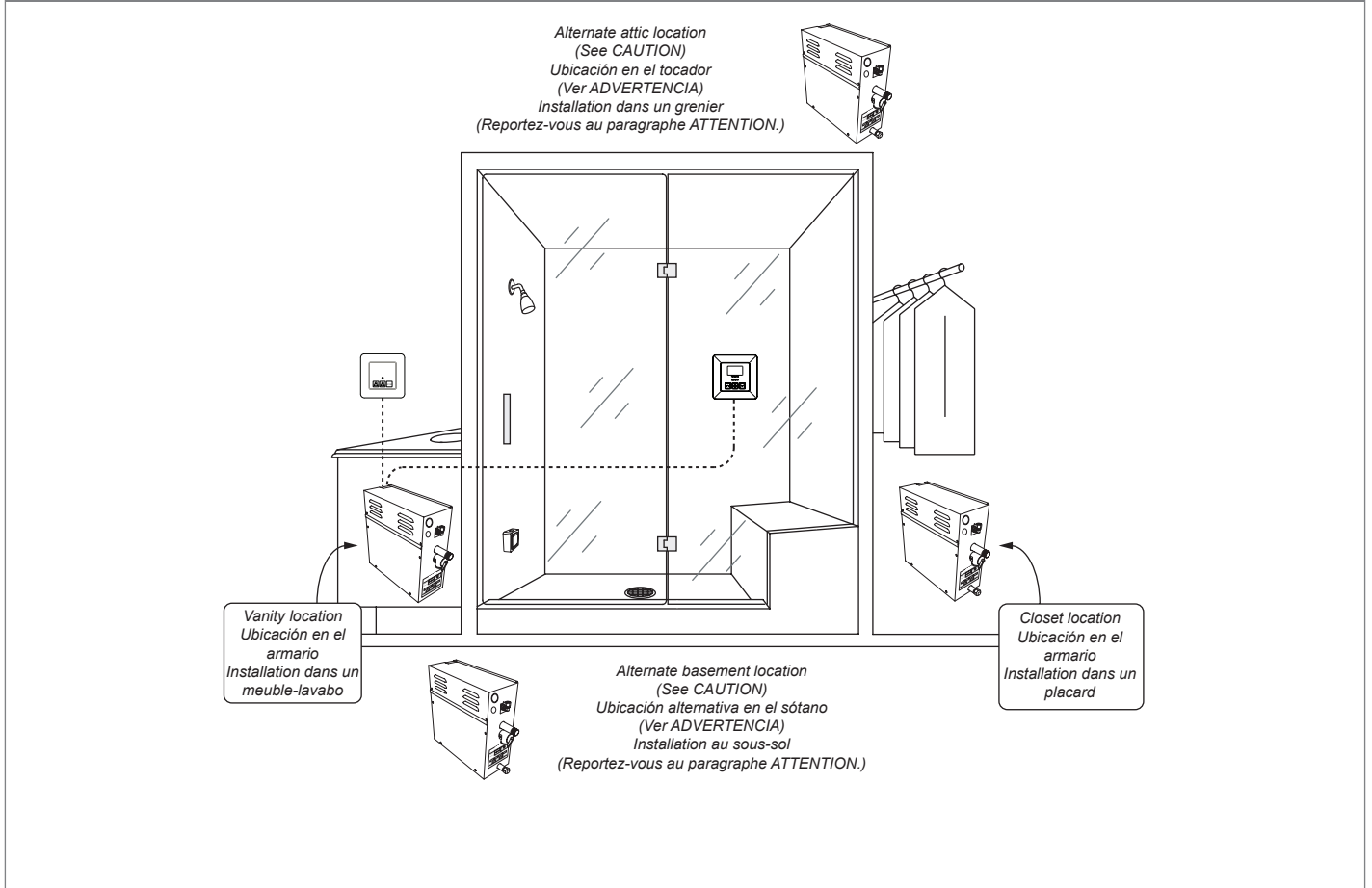
Sélectionnez un endroit pour monter le générateur de vapeur qui est accessible pour l'installation et l'entretien. Les exigences d'accès indiquent l'espace minimal qui est nécessaire pour accéder facilement au générateur de vapeur.

ATTENTION

Tous les modèles doivent être installés à **L'INTÉRIEUR** au **SEC**, à un endroit **NON EXPOSÉ AU GEL** et exempt de produits inflammables : essence, peinture, diluant à peinture, etc.

IMPORTANT : Le générateur de vapeur doit être installé debout et de niveau. Le numéro de série doit être visible et le générateur de vapeur doit être accessible aux fins d'entretien.

Installation Suggestions/Sugerencias de instalación/Suggestions d'installation



⚠ CAUTION

Steam generators must be located indoors, in an area where the temperature is limited to 50° F - 104° F. Steam generators must NOT be installed outdoors, in moist, humid areas, in areas prone to freezing, or extreme heat such as an unventilated attic. To do so will void the warranty.

⚠ ADVERTENCIA

Los generadores de vapor deben ubicarse en el interior, en un área donde la temperatura esté limitada a 50°F - 104°F. Los generadores de vapor NO deben instalarse al aire libre, en áreas húmedas, en áreas propensas a la congelación o al calor extremo, como un ático sin ventilación. Hacerlo anulará la garantía.

⚠ ATTENTION

Les générateurs de vapeur doivent être situés à l'intérieur, à un endroit où la température est comprise entre 10 °C et 40 °C (50 °F – 104 °F). Les générateurs de vapeur NE DOIVENT PAS être installés à l'extérieur, à un endroit où ils peuvent être exposés à l'humidité ou au gel, ni à un endroit comme un grenier non ventilé où ils peuvent être exposés à une chaleur extrême. Un générateur de vapeur installé à un de ces endroits ne sera pas protégé par la garantie.

Checklist

Before starting, ensure that the conditions of the following checklist have been met:

- | | |
|---|---|
| <p><input type="checkbox"/> The proper size steam generator has been selected by using the sizing page in the full line brochure, pricing guide, configurator tool or the generator sizing guide in the residential system/steam bath product information section of the website-www.deltafaucet.com</p> | <p><input type="checkbox"/> The steam generator is installed in an upright position.</p> <p><input type="checkbox"/> The proper sized 90° C copper wire and circuit breaker have been used.</p> <p><input type="checkbox"/> The circuit breaker is NOT a GFI (ground fault interrupter) type.</p> |
| <p><input type="checkbox"/> The steam generator voltage (240V) complies with the power source. A 240V generator operating at 208V will result in a 25% loss of power.</p> | <p><input type="checkbox"/> The steam generator is properly grounded.</p> <p><input type="checkbox"/> The circuit breaker or disconnect switch is on.</p> <p><input type="checkbox"/> Water supply is open to the steam generator.</p> |

⚠ CAUTION

An improperly sized Steam Generator will NOT produce the amount of steam necessary to reach selected temperature.

Lista de Verificación

Antes de comenzar, asegúrese de que se hayan cumplido las condiciones de la siguiente lista de verificación:

- | | |
|---|--|
| <p><input type="checkbox"/> El Generador de Vapor del tamaño adecuado se seleccionó utilizando la página de dimensionamiento en el folleto de la línea completa, la guía de precios, la herramienta de configuración o la guía de dimensionamiento del generador en la sección de información del producto del sistema residencial/baño de vapor del sitio web-www.deltafaucet.com</p> | <p><input type="checkbox"/> El Generador de Vapor se instala en posición vertical.</p> <p><input type="checkbox"/> Se han utilizado el cable de cobre de 90°C y el disyuntor del tamaño adecuado.</p> <p><input type="checkbox"/> El disyuntor NO es del tipo GFI (interruptor de falla a tierra).</p> |
| <p><input type="checkbox"/> El voltaje del Generador de Vapor (240 V) cumple con la fuente de alimentación eléctrica. Un generador de 240 V que funcione a 208 V dará como resultado una pérdida de energía del 25 %.</p> | <p><input type="checkbox"/> El Generador de Vapor está correctamente conectado a tierra.</p> <p><input type="checkbox"/> El disyuntor o interruptor de desconexión está encendido.</p> <p><input type="checkbox"/> El suministro de agua está abierto al Generador de Vapor.</p> |

⚠ ADVERTENCIA

Un Generador de Vapor de tamaño inadecuado NO producirá la cantidad de vapor necesaria para alcanzar la temperatura seleccionada.

Liste de contrôle

Avant de débuter, assurez-vous que les conditions énumérées dans la liste de vérification qui suit sont remplies.

- | | |
|--|---|
| <p><input type="checkbox"/> Vous avez sélectionné un générateur de vapeur de la bonne puissance en consultant la page de caractéristiques de puissance dans la brochure complète, le guide des prix, l'outil de configuration ou le guide de sélection de la puissance du générateur. Ces documents se trouvent dans la section du site Web www.deltafaucet.com qui renferme de l'information sur les systèmes et les bains de vapeur résidentiels.</p> | <p><input type="checkbox"/> Le générateur est installé debout.</p> <p><input type="checkbox"/> Le générateur est raccordé avec un disjoncteur et un câble en cuivre du bon calibre homologués pour une température de 90 °C.</p> <p><input type="checkbox"/> Le disjoncteur N'EST PAS un disjoncteur différentiel de fuite à la terre (DDFT).</p> |
| <p><input type="checkbox"/> La tension (240 V) du générateur de vapeur est adaptée à la source d'alimentation. Faire fonctionner un générateur homologué pour une tension de 240 V sous une tension de 208 V entraînera une perte de puissance de 25 %.</p> | <p><input type="checkbox"/> Le générateur de vapeur est mis à la terre correctement.</p> <p><input type="checkbox"/> Le disjoncteur ou le sectionneur est fermé.</p> <p><input type="checkbox"/> Le robinet du tuyau d'alimentation en eau du générateur de vapeur est ouvert.</p> |

⚠ ATTENTION

Un générateur de vapeur n'ayant pas les caractéristiques de puissance requises pourra NE PAS produire la quantité de vapeur nécessaire à l'atteinte de la température recherchée.

Pre-Installation

- Proper electrical supply (240 Volt): See rating label on Steam Generator and Chart on page 13. Determine proper size of wire, voltage, amperage, and phase for the Steam Generator. 90°C copper wire is required for generator connection.
- In-line fuse/circuit breaker required: Fuse/circuit breaker to be installed must be sized in accordance with chart on back page. Do NOT install a GFI (Ground Fault Interrupter) to this equipment (per article 210-8 in the National Electric Code).
- Route power supply cable to the location where the Steam Generator will be installed (before walls are closed).

Electrical Rough-in

- Route appropriate power cable to the location the Steam Generator will be installed. If receptacle is desired, mount the box for the receptacle near the location of the Steam Generator.

NOTE: The plug and receptacle require a rating of no less than 250V and proper amperage. Refer to specification chart for amperage rating. After the walls are complete, the Steam Generator and Control can be wired.

Steam Generator Electrical Installation

⚠ WARNING

All power to the Steam Generator must be turned off.

- Remove the two screws holding the electrical access cover and remove cover.
- Locate the supply line knockout. Mount proper strain relief into knockout hole.
- Strip back power cable's outer insulation jacket eight inches and insert into Steam Generator. Strip back insulation ½" from the three (3) incoming wires (two power and one ground).
- Insert ground wire into grounding lug located on the right side of the electrical compartment and secure.

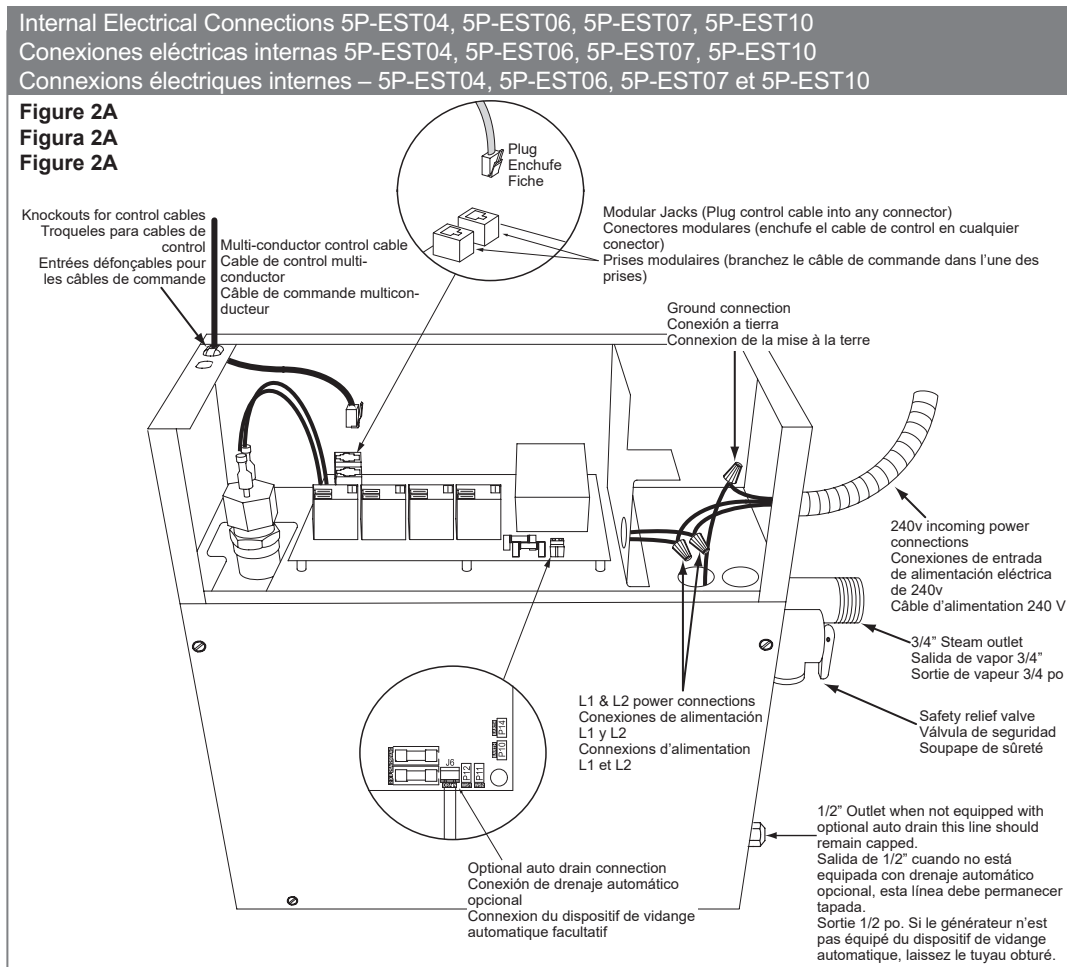
⚠ CAUTION

Be sure the ground wire does not come in contact with a live electrical part.

- Locate the terminal/fuse block in the upper portion of the electrical compartment. Insert power wires into the power lugs on the front of the terminal/fuse block and secure.

Optional Auto Drain Valve Connection

- Open knockout for Auto Drain Valve conduit connection.
- Route flexible conduit from valve to knockout and secure.
- Connect two wires from valve to the auto drain connection J11 on the printed circuit board (see Figure 2A).



Pre-Instalación

- Suministro eléctrico adecuado (240 voltios): consulte la etiqueta de clasificación en el Generador de Vapor y la tabla en la página 13. Determine el tamaño adecuado del cable, el voltaje, el amperaje y la fase para el Generador de Vapor. Se requiere cable de cobre de 90°C para la conexión del generador.
- Se requiere fusible/disyuntor en línea: El fusible/disyuntor que se instalará debe tener el tamaño de acuerdo con la tabla en la última página. NO instale un GFI (interruptor de falla a tierra) en este equipo (según el artículo 210-8 del Código Eléctrico Nacional).
- Dirija el cable de alimentación eléctrica hasta el lugar donde se instalará el generador de vapor (antes de que se cierren las paredes).

Instalación eléctrica

- Dirija el cable de alimentación eléctrica adecuado hasta el lugar donde se instalará el Generador de Vapor. Si desea un receptáculo, monte la caja para el receptáculo cerca de la ubicación del generador de vapor.

NOTA: El enchufe y el receptáculo requieren una clasificación de no menos de 250 V y el amperaje adecuado. Consulte la tabla de especificaciones para conocer el amperaje. Una vez que las paredes estén completas, se puede cablear el Generador de Vapor y el control.

Instalación eléctrica del generador de vapor

⚠ AVISO

Toda la electricidad al generador de vapor debe estar apagada.

- Retire los dos tornillos que sujetan la cubierta de acceso eléctrico y retire la cubierta.
- Localice el orificio ciego de la línea de suministro. Monte el alivio de tensión adecuado en el orificio ciego.
- Pele la funda de aislamiento exterior del cable de alimentación eléctrica ocho pulgadas e insértela en el Generador de Vapor. Pele el aislamiento 1/2" de los tres (3) cables de entrada (dos de alimentación y uno de tierra).
- Inserte el cable de conexión a tierra en la lengüeta de conexión a tierra ubicada en el lado derecho del compartimiento eléctrico y asegúrelo.

⚠ ADVERTENCIA

Asegúrese de que el cable de tierra no entre en contacto con una parte eléctrica viva.

- Ubique el bloque de terminales/fusibles en la parte superior del compartimiento eléctrico. Inserte los cables de alimentación de electricidad en las lengüetas de alimentación en la parte frontal del bloque de terminales/fusibles y fíjelos.

Conexión Opcional de la Válvula de Drenaje Automático

- Abra el orificio ciego para la conexión del conducto de la válvula de drenaje automático.
- Dirija el conducto flexible desde la válvula hasta el orificio ciego y fíjelo.
- Conecte dos cables de la válvula a la conexión de drenaje automático J11 en la placa o tabla de circuito impreso (vea la Figura 2A).

Avant l'installation

- Alimentation électrique adéquate de 240 V : Consultez l'étiquette signalétique sur le générateur de vapeur et le tableau à la page 13. Déterminez les caractéristiques de l'alimentation électrique requise pour le générateur de vapeur (calibre du câble, tension, intensité et phase). Un câble en cuivre homologué pour une température de 90 °C est requis pour le branchement du générateur de vapeur.
- Disjoncteur ou fusible de protection de ligne requis : Le disjoncteur ou le fusible doit être du calibre indiqué dans le tableau de la dernière page. ÉVITEZ d'installer un disjoncteur différentiel de fuite à la terre (DDFT) pour cet appareil (exigence de l'article 210-8 du National Electric Code).
- Faites courir le câble d'alimentation électrique jusqu'à l'endroit où le générateur de vapeur sera installé (avant que les murs soient fermés).

Câblage électrique

- Faites courir un câble électrique adéquat jusqu'à l'endroit où le générateur de vapeur sera installé. Si l'installation d'une prise de courant est souhaitable, installez le boîtier de la prise près de l'endroit où se trouvera le générateur de vapeur.

NOTE : La prise et le boîtier doivent être homologués pour une tension d'au moins 250 V et l'intensité requise. Consultez le tableau des caractéristiques techniques pour déterminer l'intensité requise. Une fois que la construction des murs est terminée, le générateur de vapeur et l'appareil de commande peuvent être câblés.

Branchement électrique du générateur de vapeur

⚠ AVERTISSEMENT

L'alimentation électrique du générateur de vapeur doit être interrompue entièrement.

- Retirez les deux vis qui retiennent le couvercle d'accès aux composants électriques et enlevez le couvercle.
- Trouvez l'entrée défonçable pour le câble d'alimentation. Montez un serre-câble adéquat dans le trou de l'entrée défonçable.
- Retirez la gaine isolante extérieure du câble d'alimentation sur huit pouces et introduisez le câble dans le générateur de vapeur. Retirez l'isolant des trois (3) fils (deux fils d'alimentation et un fil de mise à la terre) sur ½ po.
- Introduisez le fil de mise à la terre dans la patte de mise à la terre située du côté droit du logement des composants électriques et immobilisez-le.

⚠ ATTENTION

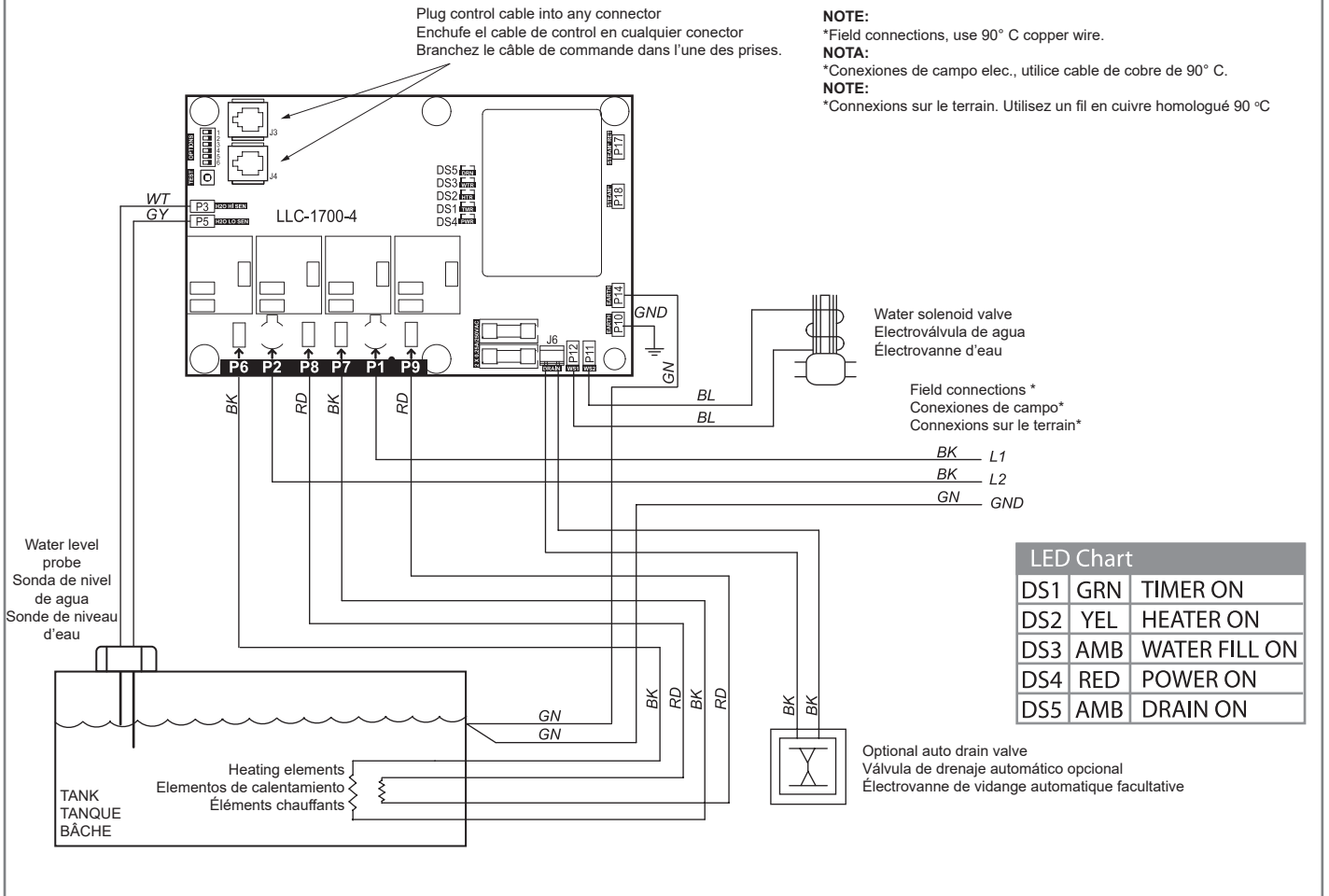
Assurez-vous que le fil de mise à la terre ne pourra pas entrer en contact avec une pièce sous tension.

- Localisez le bornier ou le porte-fusibles dans la partie supérieure du logement des composants électriques. Introduisez les fils d'alimentation dans les pattes d'alimentation à l'avant du bornier ou du porte-fusible et immobilisez-les.

Branchement du dispositif de vidange automatique facultatif

- Ouvrez l'entrée défonçable pour l'installation du conduit de l'électrovanne de vidange automatique.
- Faites courir le conduit flexible de l'électrovanne jusqu'à l'entrée défonçable et fixez-le.
- Raccordez les deux fils de l'électrovanne au point de connexion J11 du dispositif de vidange automatique sur la carte de circuits imprimés (reportez-vous à la figure 2A).

Figure 4A - Wiring Diagram
 Figura 4A - Diagrama de cableado
 Figure 4A - Schéma de câblage



Specification Chart/Tabla de especificaciones/Tableau des caractéristiques techniques							
Model No.	Max. Cu. Ft. For Area Up To	KW	Volt	Phase	Amps	Breaker Size	*Minimum Wire Size
5P-EST04	65	4	240	1	17	25	10
5P-EST06	150	6	240	1	25	30	10
5P-EST07	250	7.5	240	1	31	40	8
5P-EST10	450	10	240	1	42	50	6

90° C copper wire is required for generator connection. Installation shall be in accordance with applicable electrical codes.
 Se requiere un cable de cobre de 90° C para la conexión del generador. La instalación se realizará de acuerdo con los códigos eléctricos aplicables.
 Un câble en cuivre homologué pour une température de 90° C est requis pour le branchement du générateur de vapeur. L'installation doit être conforme aux codes de l'électricité applicables.

WARNING SIGN INSTALLATION:

Residential use:

The temporary warning label is to be applied after installation on the steam room door or the wall immediately adjacent to the steam room. Contact us for a permanent sign as required for non-private residential installations.

INSTALACIÓN DE LA SEÑAL DE ADVERTENCIA:

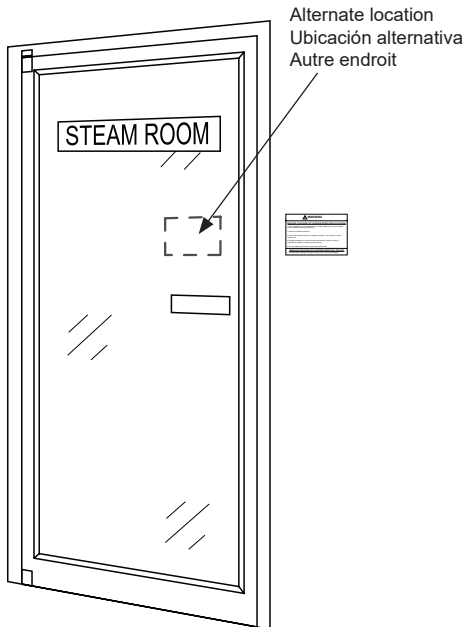
Uso residencial:

La etiqueta de advertencia temporal debe colocarse después de la instalación en la puerta de la sala de vapor o en la pared inmediatamente adyacente a la sala de vapor. Comuníquese con nosotros para obtener un rótulo de aviso permanente según se requiera para instalaciones residenciales no privadas.

INSTALLATION DU PANNEAU D'AVERTISSEMENT :

Usage résidentiel :

L'étiquette d'avertissement temporaire doit être apposée sur la porte de l'enceinte de vapeur ou sur le mur situé tout près de celle-ci après l'installation. Communiquez avec nous si vous souhaitez obtenir un écriteau permanent pour une installation résidentielle non privée.



! WARNING
REDUCE THE RISK OF OVERHEATING AND SCALDING
<ol style="list-style-type: none"> 1. EXIT IMMEDIATELY IF UNCOMFORTABLE, DIZZY, OR SLEEPY. STAYING TOO LONG IN A HEATED AREA MAY CAUSE OVERHEATING. 2. SUPERVISE CHILDREN AT ALL TIMES. 3. CHECK WITH DOCTOR BEFORE USE IF PREGNANT, DIABETIC, IN POOR HEALTH, HAVE HIGH OR LOW BLOOD PRESSURE, HEART CONDITION OR UNDER MEDICAL CARE. 4. BREATHING HEATED AIR IN CONJUNCTION WITH CONSUMPTION OF ALCOHOL, DRUGS, OR MEDICATION MAY CAUSE UNCONSCIOUSNESS. 5. DO NOT CONTACT STEAM HEAD OR STEAM AT THE STEAM HEAD.
REDUCE THE RISK OF SLIPPING AND FALL INJURY
<ol style="list-style-type: none"> 1. USE CARE WHEN ENTERING OR EXITING THE STEAM ROOM; FLOOR MAY BE SLIPPERY.

! ADVERTENCIA
REDUCIR EL RIESGO DE SOBRECALENTAMIENTO Y ESCALDADURAS
<ol style="list-style-type: none"> 1. SALGA INMEDIATAMENTE SI SE SIENTE INCÓMODO, MAREADO O SOMNOLIENTO. PERMANECER DEMASIADO TIEMPO EN UN EL ÁREA CALENTADA PUEDE CAUSAR SOBRECALENTAMIENTO. 2. SUPERVISE A LOS NIÑOS EN TODO MOMENTO. 3. CONSULTE CON EL MÉDICO ANTES DE USAR SI ESTÁ EMBARAZADA, DIABÉTICA, EN MAL ESTADO DE SALUD, TIENE PRESIÓN ARTERIAL ALTA O BAJA, AFECCIÓN CARDÍACA O BAJO ATENCIÓN MÉDICA. 4. EL RESPIRAR AIRE CALIENTE JUNTO CON EL CONSUMO DE ALCOHOL, DROGAS O MEDICAMENTOS PUEDE CAUSAR PÉRDIDA DEL CONOCIMIENTO. 5. NO TOQUE EL CABEZAL DE VAPOR NI EL VAPOR QUE SALE DEL CABEZAL DE VAPOR.
REDUZCA EL RIESGO DE LESIONES POR RESBALONES Y CAÍDAS
<ol style="list-style-type: none"> 1. TENGA CUIDADO AL ENTRAR Y SALIR DEL CUARTO DE VAPOR; EL PISO PUEDE ESTAR RESBALOSO.

! AVERTISSEMENT
RÉDUISEZ LE RISQUE D'HYPERTHERMIE ET D'ÉBOUILLANTAGE
<ol style="list-style-type: none"> 1. SORTEZ IMMÉDIATEMENT SI VOUS ÉProuVEZ UN INCONFORT, VOUS AVEZ DES VERTIGES OU VOUS SOMNOLEZ. LE FAIT DE DEMEURER TROP LONGTEMPS DANS UN ENDROIT SURCHAUFFÉ PEUT ENTRAÎNER L'HYPERTHERMIE. 2. SUPERVISEZ LES ENFANTS EN TOUT TEMPS. 3. CONSULTEZ UN MÉDECIN AVANT L'UTILISATION SI VOUS ÊTES ENCEINTE, EN MAUVAISE SANTÉ, VOUS SOUFFREZ D'HYPOTENSION OU D'HYPERTENSION ARTÉRIELLE, VOUS AVEZ UNE CARDIOPATHIE OU VOUS RECEVEZ DES SOINS MÉDICAUX. 4. RESPIRER DE L'AIR SURCHAUFFÉ ALORS QU'ON SE TROUVE SOUS L'EFFET DE L'ALCOOL, DE LA DROGUE OU DE MÉDICAMENTS PEUT ENTRAÎNER UNE PERTE DE CONSCIENCE. 5. ÉVITEZ TOUT CONTACT AVEC LA TÊTE DE VAPEUR ET LA VAPEUR PRÈS DE CELLE-CI.
RÉDUISEZ LE RISQUE DE BLESSURES CAUSÉES PAR LA PERTE D'ÉQUILIBRE ET UNE CHUTE
<ol style="list-style-type: none"> 1. FAITES PREUVE DE PRUDENCE EN ENTRANT DANS L'ENCEINTE DE VAPEUR ET EN SORTANT DE CELLE-CI; LE PLANCHER PEUT ÊTRE GLISSANT.

Residential Steam Bath Generators: Delta Faucet Company ("DFC") warrants to the original consumer purchaser that the parts (except for electronic parts) of its residential steam bath generator purchased from authorized Delta sellers will be free from defects in materials and workmanship for as long as the original consumer purchaser owns the home in which the steam bath was originally installed. This lifetime limited warranty does not apply to residential steam bath generators that are used in commercial applications (as defined herein).

Residential Electronic Parts, Controls, Spa Options and Accessories: DFC warrants to the original consumer purchaser that the electronic parts of its steam bath generator and its controls, spa options and accessories purchased from authorized Delta sellers will be free from defects in materials and workmanship for a period of two (2) years from the date that the product is received by the original consumer purchaser or their authorized representative (installation contractor, etc.). This two-year limited warranty does not apply to controls, spa options, electronic parts and accessories that are used in commercial applications (as defined herein).

Residential Shower Valve Model R50000E: DFC warrants to the original consumer purchaser that its residential shower valve model R50000E (except for electronic parts) purchased from an authorized Delta seller will be free from defects in materials and workmanship for a period of five (5) years from the date that the product is received by the original consumer purchaser or their authorized representative (installation contractor, etc.).

Commercial Warranty: For the purposes of this warranty the term "commercial application" refers to installation in any setting in which the product is not being used for personal household use, including but not limited to hospitality applications, day spas, short-term and long-term rentals and gyms.

DFC warrants that the parts (including electronic parts) of its steam bath generators (including steam bath generators with model numbers beginning with 5COM, which are intended solely for heavy commercial use), equipment, controls, electronic parts, spa options and accessories purchased from authorized Delta sellers and used in a commercial application will be free from defects in materials and workmanship for a period of one (1) year from the date that the product is received by the original purchaser or their authorized representative (installation contractor, etc.).

What We Will Do: DFC will, at its option, repair or replace, free of charge, any part that proves defective in material and/or workmanship under normal installation, use and service during the applicable warranty period as stated above. DFC may elect to refund the purchase price. Replacement parts are subject to availability and may differ from those originally supplied.

For residential applications, two (2) years following the date that the product was received by the original consumer purchaser or their authorized representative (installation contractor, etc.), or for five (5) years for the residential shower valve model R50000E, and with prior approval by DFC, DFC will pay for labor for repair/replacement associated with warranty coverage. Thereafter, DFC will not pay for labor associated with removal/repair/replacement of products covered by this warranty.

For commercial applications, DFC will, with prior approval by DFC, pay for labor associated with warranty coverage for ninety (90) days from the date that the product is received by the original purchaser or their authorized representative (installation contractor, etc.). Thereafter, DFC will not pay for labor associated with removal/repair/replacement of products covered by this warranty. **These are the consumer's exclusive remedies.**

What Is Not Covered: Because DFC is unable to control the quality of Delta products sold by unauthorized sellers, unless otherwise prohibited by law, this warranty does not cover Delta products purchased from unauthorized sellers. This warranty does not cover damage caused by improper or negligent installation or use. Provided that DFC is paying the cost of the labor under the terms above, this warranty does not cover repairs attempted by any person other than an authorized DFC agent and shall be limited to the repair or replacement of defective parts by DFC or its authorized agent. **This warranty is void if any of the following should occur:**

- The use of the product for an unintended application, including the commercial application of a product that is not intended for commercial use.
- Failure to follow instructions, including care, cleaning and usage instructions, provided in the product's owner's manual.
- The product's serial number has been altered or removed.
- The product is modified in any manner which DFC concludes, after its inspection, affects the reliability of the product.
- The product has been improperly repaired by anyone not specifically designated or authorized by DFC.
- The product is damaged because it is not operated or installed in accordance with supplied instructions.
- The product is installed outdoors.
- The product is installed in a moist and/or humid area with unconditioned air or temperatures that exceed 104 degrees Fahrenheit.
- The product is damaged due to freezing.
- The product is damaged by acts of God.

How to Make a Warranty Claim: To obtain warranty repair or replacement, contact DFC at: 800-394-6478 or steam-prodserv@deltafaucet.com to receive an RGA# (Return Goods Authorization number) which must be on the carton that is returned via UPS Ground or equivalent. Proof of purchase (original sales receipt showing purchase date) identifying the model and serial number and documentation of the date of receipt of the product by the original purchaser or their authorized representative (installation contractor, etc.) must accompany all warranty claims.

Limitation on Duration of Implied Warranties: Please note that some states/provinces (including Quebec) do not allow limitations on how long an implied warranty lasts, so the below limitations may not apply to you. TO THE MAXIMUM EXTENT PERMITTED BY APPLICABLE LAW, ANY IMPLIED WARRANTY, INCLUDING THE IMPLIED WARRANTIES OF MERCHANTABILITY AND OF FITNESS FOR A PARTICULAR PURPOSE, IS LIMITED TO THE STATUTORY PERIOD OR THE DURATION OF THIS WARRANTY, WHICHEVER IS SHORTER.

Limitation of Special, Incidental or Consequential Damages: Please note that some states/provinces (including Quebec) do not allow the exclusion or limitation of special, incidental or consequential damages, so the below limitations and exclusions may not apply to you. TO THE MAXIMUM EXTENT PERMITTED BY APPLICABLE LAW, THIS WARRANTY DOES NOT COVER, AND DFC SHALL NOT BE LIABLE FOR, ANY SPECIAL, INCIDENTAL OR CONSEQUENTIAL DAMAGES WHETHER ARISING OUT OF BREACH OF ANY EXPRESS OR IMPLIED WARRANTY, BREACH OF CONTRACT, TORT, OR OTHERWISE.

Additional Rights: This warranty gives you specific legal rights, and you may also have other rights which vary from state/province to state/province. This is DFC's exclusive written warranty and the warranty is not transferable.

Garantía limitada de los productos Delta® Steam Bath y Steam Shower *Aplicable a productos comprados e instalados en EE. UU. y Canadá*

Generadores de baños de vapor residenciales: Delta Faucet Company ("DFC") garantiza al comprador consumidor original que las partes (excepto las partes electrónicas) de su generador de baño de vapor residencial comprado a vendedores autorizados de Delta estarán libres de defectos en materiales y de fabricación durante el tiempo que el comprador consumidor original es dueño de la casa en la que se instaló originalmente el baño de vapor. Esta garantía limitada de por vida no se aplica a los generadores de baños de vapor residenciales que se utilizan en aplicaciones comerciales (como se define en este documento).

Piezas electrónicas residenciales, controles, opciones de spa y accesorios: DFC garantiza al comprador consumidor original que las partes electrónicas de su generador de baño de vapor y sus controles, opciones de spa y accesorios comprados a vendedores autorizados de Delta estarán libres de defectos en materiales y de fabricación durante un período de dos (2) años a partir de la fecha que el producto es recibido por el comprador consumidor original o su representante autorizado (contratista de instalación, etc.). Esta garantía limitada de dos años no se aplica a los controles, las opciones de spa, las piezas electrónicas y los accesorios que se utilizan en aplicaciones comerciales (como se define en este documento).

Válvula de ducha residencial modelo R80000E: DFC garantiza al comprador consumidor original que su válvula para regaderas residenciales modelo R80000E (excepto las piezas electrónicas) comprada a un vendedor autorizado de Delta estará libre de defectos de materiales y de fabricación durante un período de cinco (5) años a partir de la fecha cuando es recibido por el comprador consumidor original o su representante autorizado (contratista de instalación, etc.).

Garantía Comercial: A los efectos de esta garantía, el término "aplicación comercial" se refiere a la instalación en cualquier entorno en el que el producto no se utilice para uso doméstico personal, incluidas, entre otras, aplicaciones de hospitalidad, spas de día y servicios a corto y largo plazo, alquileres a plazo y gimnasios.

DFC garantiza que las piezas (incluidas las piezas electrónicas) de sus generadores de baños de vapor (incluidos los generadores de baños de vapor con números de modelo que comienzan con 5COM, que están destinados únicamente para un uso comercial pesado), los equipos, controles, piezas electrónicas, opciones de spa y accesorios comprados a vendedores autorizados de Delta y utilizados en una aplicación comercial estarán libres de defectos de materiales y mano de obra durante un período de un (1) año a partir de la fecha en que el comprador original o su representante autorizado (contratista de instalación, etc.) recibió el producto.

Lo que haremos: DFC, a su elección, reparará o reemplazará, sin cargo, cualquier pieza que presente defectos de material y/o de fabricación en condiciones normales de instalación, uso y servicio durante el período de garantía aplicable como se indicó anteriormente. DFC puede optar por reembolsar el precio de compra. Las piezas de repuesto están sujetas a disponibilidad y pueden ser diferentes a las suministradas originalmente.

Para aplicaciones residenciales, dos (2) años a partir de la fecha en que el producto fue recibido por el comprador consumidor original o su representante autorizado (contratista de instalación, etc.), o por cinco (5) años para la válvula de regadera residencial modelo R50000E, y con la aprobación previa de DFC, DFC pagará la mano de obra para la reparación/reemplazo asociada con la cobertura de la garantía. A partir de entonces, DFC no pagará la mano de obra asociada con la extracción/reparación/reemplazo de los productos cubiertos por esta garantía.

Para aplicaciones comerciales, DFC, con la aprobación previa de DFC, pagará la mano de obra asociada con la cobertura de la garantía durante noventa (90) días a partir de la fecha en que el comprador original o su representante autorizado (contratista de instalación, etc.) recibe el producto. A partir de entonces, DFC no pagará la mano de obra asociada con la extracción/reparación/reemplazo de los productos cubiertos por esta garantía. **Estos son recursos exclusivos del consumidor.**

Lo que no está cubierto: Debido a que DFC no puede controlar la calidad de los productos DFC vendidos por vendedores no autorizados, a menos que la ley lo prohíba, esta garantía no cubre los productos DFC comprados a vendedores no autorizados.

Esta garantía no cubre los daños causados por una instalación o uso inadecuado o negligente. Siempre que DFC pague el costo de la mano de obra según los términos anteriores, esta garantía no cubre las reparaciones intentadas por cualquier persona que no sea un agente autorizado de DFC y se limitará a la reparación o reemplazo de piezas defectuosas por parte de DFC o su agente autorizado.

Esta garantía queda anulada si ocurre cualquiera de lo siguiente:

- El uso del producto para una aplicación no prevista, incluida una aplicación de un producto que no está destinado para uso comercial.
- No seguir las instrucciones, incluidas las instrucciones de cuidado, limpieza y uso, proporcionadas en el manual del propietario del producto.
- El número de serie del producto ha sido alterado o eliminado.
- El producto se modifica de cualquier manera que DFC concluya, después de su inspección, que afecta la confiabilidad del producto.
- El producto ha sido reparado incorrectamente por alguien que no ha sido específicamente designado o autorizado por DFC.
- El producto está dañado porque no se operó o instaló de acuerdo con las instrucciones proporcionadas.
- El producto está instalado al aire libre.
- El producto está instalado en un área húmeda y/o húmeda con aire no acondicionado o temperaturas que exceden los 104 grados Fahrenheit.
- El producto está dañado debido a la congelación.
- El producto está dañado por fuerza mayor.

Cómo hacer un reclamo de garantía: Para obtener reparación o reemplazo en garantía, comuníquese con Delta al: 800-355-6478 o steam-prodserv@deltafaucet.com para recibir un RGA# (Número de autorización de devolución de mercancías) que debe estar en la caja que se devuelve a través de UPS Ground o el equivalente. El comprobante de compra (recibo de compra original que muestre la fecha de compra) que identifique el modelo y el número de serie y la documentación de la fecha de recepción del producto por parte del comprador original o su representante autorizado (contratista de instalación, etc.) debe acompañar todos los reclamos de garantía.

Limitación de la duración de las garantías implícitas: Tenga en cuenta que algunos estados/provincias (incluido Quebec) no permiten limitaciones sobre la duración de una garantía implícita, por lo que es posible que las siguientes limitaciones no se apliquen en su caso. EN LA MEDIDA MÁXIMA PERMITIDA POR LA LEY APPLICABLE, CUALQUIER GARANTÍA IMPLÍCITA, INCLUIDAS LAS GARANTÍAS IMPLÍCITAS DE COMERCIABILIDAD E IDONEIDAD PARA UN FIN DETERMINADO, SE LIMITA AL PERÍODO LEGAL O A LA DURACIÓN DE ESTA GARANTÍA, EL QUE SEA MÁS BREVE.

Limitación de daños especiales, incidentales o consecuentes: Tenga en cuenta que algunos estados/provincias (incluido Quebec) no permiten la exclusión o limitación de daños especiales, incidentales o consecuentes, por lo que es posible que las siguientes limitaciones y exclusiones no se apliquen en su caso. EN LA MEDIDA MÁXIMA PERMITIDA POR LA LEY APPLICABLE, ESTA GARANTÍA NO CUBRE, Y DFC NO SERÁ RESPONSABLE DE NINGÚN DAÑO ESPECIAL, INCIDENTAL O CONSECUENTE QUE SURJA DEL INCUMPLIMIENTO DE CUALQUIER GARANTÍA EXPLÍCITA O IMPLÍCITA, INCUMPLIMIENTO DE CONTRATO, AGRAVIO O DE OTRA MANERA.

Derechos adicionales: Esta garantía le otorga derechos legales específicos, y es posible que también tenga otros derechos que varían de un estado/provincia a otro estado/provincia. Esta es la garantía escrita exclusiva de Delta y la garantía no es transferible.

Garantie limitée des douches à vapeur et des bains de vapeur Delta® *Aplicable aux produits achetés et installés aux États-Unis et au Canada*

Générateurs pour bain de vapeur résidentiel: Delta Faucet Company (« DFC ») garantit à l'acheteur au détail initial que les pièces (sauf les pièces électroniques) de ce générateur pour bain de vapeur résidentiel achetées de vendeurs Delta autorisés sont exemptes de matériaux défectueux et de vices de fabrication. Cette garantie à vie limitée est valide aussi longtemps que l'acheteur au détail initial possède la maison dans laquelle le bain de vapeur a été installé. Elle ne s'applique pas aux générateurs pour bain de vapeur résidentiels utilisés dans des applications commerciales (définies dans le présent document).

Pièces électroniques, commandes, options de spa et accessoires résidentiels: DFC garantit à l'acheteur au détail initial que les pièces électroniques de son générateur pour bain de vapeur ainsi que les commandes, les options de spa et les accessoires achetés de vendeurs Delta autorisés seront exemptes de matériaux défectueux et de vices de fabrication pendant une période de deux (2) ans calculée à compter de la date de réception du produit par l'acheteur au détail initial ou son représentant autorisé (entrepreneur chargé de l'installation, etc.). Cette garantie limitée de deux ans ne s'applique pas aux commandes, aux options de spa, aux pièces électroniques et aux accessoires qui sont utilisés dans des applications commerciales (définies dans le présent document).

Soupage de douche résidentielle, modèle R50000E: DFC garantit à l'acheteur au détail initial que cette soupage de douche résidentielle, modèle R50000E (sauf les pièces électroniques), achetée d'un vendeur Delta autorisé sera exempte de matériaux défectueux et de vices de fabrication pendant une période de cinq (5) ans calculée à compter de la date de réception du produit par l'acheteur au détail initial ou son représentant autorisé (entrepreneur chargé de l'installation, etc.).

Garantie pour les applications commerciales: Dans le libellé de la présente garantie, « applications commerciales » désigne toute installation dans des lieux où le produit n'est pas utilisé par un ménage, y compris, sans s'y limiter, les lieux d'accueil, les spas de jour, les lieux d'hébergement loués à court et à long termes ainsi que les salles de conditionnement physique.

DFC garantit que les pièces (y compris les pièces électroniques) de ses générateurs pour bain de vapeur (y compris les générateurs pour bain de vapeur dont le numéro de modèle débute par 5COM), l'équipement, les commandes, les pièces électroniques, les options de spa et les accessoires achetés de vendeurs Delta autorisés et utilisés dans des applications commerciales seront exemptes de matériaux défectueux et de vices de fabrication pendant une période d'un (1) an calculée à compter de la date de réception du produit par l'acheteur initial ou son représentant autorisé (entrepreneur chargé de l'installation, etc.).

Ce que nous ferons: À sa discrétion, DFC réparera ou remplacera, sans frais, toute pièce ayant été installée, utilisée et entretenue normalement qui comportera un matériau défectueux et/ou présentera un vice de fabrication pendant la période de garantie susmentionnée. DFC pourra décider de rembourser le prix d'achat. Les pièces de rechange seront fournies sous réserve de leur disponibilité et elles pourront être différentes de celles fournies initialement. Dans le cas des applications résidentielles, au cours de la période de deux (2) ans qui suivra la réception du produit par l'acheteur au détail initial ou son représentant autorisé (entrepreneur chargé de l'installation, etc.) ou au cours de la période subséquente de cinq (5) ans dans le cas de la soupage de douche résidentielle du modèle R50000E, et sous réserve de l'approbation au préalable de DFC, DFC paiera la main-d'œuvre pour la réparation ou le remplacement des produits aux termes de la garantie. Par la suite, DFC ne paiera pas la main-d'œuvre nécessaire pour la dépose et la réparation ou le remplacement des produits couverts par la présente garantie.

Dans le cas des applications commerciales, DFC paiera, sous réserve de l'approbation au préalable de DFC, la main-d'œuvre associée à la couverture de la garantie pendant une période de quatre-vingt-dix (90) jours calculée à compter de la date de réception du produit par l'acheteur initial ou son représentant autorisé (entrepreneur chargé de l'installation, etc.). Par la suite, DFC ne paiera pas la main-d'œuvre nécessaire pour la dépose et la réparation ou le remplacement des produits couverts par la présente garantie. **Il s'agit des seuls recours du consommateur.**

Ce qui n'est pas couvert: Étant donné que DFC est incapable de contrôler la qualité des produits vendus par des

vendeurs non autorisés, la présente garantie ne couvre pas les produits Delta vendus par des vendeurs non autorisés, à moins qu'une telle restriction soit interdite par la loi.

La présente garantie ne couvre pas les dommages causés par une installation ou une utilisation inappropriée ou négligente. Étant donné que DFC paie le coût de la main-d'œuvre selon les modalités susmentionnées, la présente garantie ne couvre pas les réparations effectuées par une personne autre qu'un agent autorisé DFC et elle se limite à la réparation ou au remplacement des pièces défectueuses par DFC ou son agent autorisé.

La présente garantie ne s'applique pas dans l'une ou l'autre des circonstances suivantes :

- L'utilisation du produit pour une application à laquelle il n'est pas destiné, y compris une application commerciale si le produit n'est pas destiné à un usage commercial.
- L'omission de respecter les instructions, notamment les instructions d'entretien, de nettoyage et d'utilisation, contenues dans le manuel du propriétaire du produit.
- Le numéro de série a été altéré ou effacé.
- Le produit a été modifié d'une manière quelconque qui, de l'avis de DFC, après inspection du produit, compromet la fiabilité de celui-ci.
- Le produit a été réparé incorrectement par une personne quelconque qui n'est pas désignée ou autorisée expressément par DFC.
- Le produit est endommagé parce qu'il n'a pas été installé conformément aux instructions fournies.
- Le produit est installé à l'extérieur.
- Le produit est installé dans un environnement humide et l'air n'est pas climatisé ou la température excède 40 degrés Celsius (104 degrés Fahrenheit).
- Le produit a été endommagé par le gel.
- Le produit a été endommagé en raison d'un acte fortuit.

Comment faire une réclamation aux termes de la garantie: Pour faire réparer ou remplacer le produit aux termes de la garantie, communiquez avec DFC au 800-394-6478 ou à steam-prodserv@deltafaucet.com afin d'obtenir un numéro d'autorisation de retour qui devra se trouver dans l'emballage retourné par l'intermédiaire de UPS Ground ou l'équivalent. La preuve d'achat (original du reçu montrant la date d'achat) indiquant le modèle et le numéro de série ainsi que la documentation indiquant la date de réception par l'acheteur initial ou son représentant autorisé (entrepreneur chargé de l'installation, etc.) doivent accompagner toutes les réclamations aux termes de la garantie.

Limitation de la durée des garanties implicites: Veuillez noter qu'il est interdit dans certains États et certaines provinces (y compris le Québec) de limiter la durée d'une garantie implicite. Par conséquent, les limites mentionnées ci-dessous peuvent ne pas s'appliquer à vous. DANS LA MESURE DE CE QUI EST PERMIS PAR LA LOI APPLICABLE, TOUTES LES GARANTIES IMPLÍCITES, Y COMPRIS LES GARANTIES IMPLÍCITES DE QUALITÉ MARCHANDE ET D'ADÉQUATION À UN USAGE PARTICULIER, SE LIMITENT À LA PÉRIODE FIXÉE PAR LA LOI OU À LA DURÉE DE LA PRÉSENTE GARANTIE, LA PLUS COURTE DES DEUX PÉRIODES S'APPLIQUANT.

Limitation des dommages particuliers, consécutifs ou indirects: Veuillez noter qu'il est interdit dans certains États et certaines provinces (y compris le Québec) d'exclure ou de limiter les dommages particuliers, consécutifs ou indirects. Par conséquent, les exclusions et les limites mentionnées ci-dessous peuvent ne pas s'appliquer à vous. DANS LA MESURE DE CE QUI EST PERMIS PAR LE DROIT APPLICABLE, DFC SE DÉGAGE DE TOUTE RESPONSABILITÉ À L'ÉGARD DES DOMMAGES PARTICULIERS, CONSÉCUTIFS OU INDIRECTS, PEU IMPORTE QU'ILS DÉCOULENT D'UNE RUPTURE D'UNE GARANTIE IMPLÍCITE OU EXPLÍCITE, D'UNE RUPTURE DE CONTRAT, D'UN DÉLIT CIVIL OU D'UNE AUTRE CAUSE, ET CES DOMMAGES NE SONT PAS COUVERTS PAR LA GARANTIE.

Droits supplémentaires: La présente garantie vous procure des droits particuliers reconnus par la loi. Vous pouvez aussi avoir d'autres droits qui varient selon l'État ou la province. La présente garantie écrite est la seule garantie offerte par DFC et elle n'est pas transférable.



see what Delta can do™

Model Number: _____
Número del modelo
Numéro de modèle

Date of Purchase: _____
Fecha de compra
Date d'achat

Register Online
Regístrese en línea
S'enregistrer en ligne
www.deltafaucet.com/service-parts/product-registration



**5P-EST SERIES & EP103305▲
STEAMBATH CONTROL INSTRUCTIONS**
**INSTRUCCIONES PARA EL CONTROL
DEL BAÑO DE VAPOUR 5P-EST SERIES Y
EP103305▲**

**INSTRUCTIONS CONCERNANT
L'APPAREIL DE COMMANDE POUR BAIN DE
VAPEUR 5P-EST SERIES ET EP103305▲**



To reference replacement parts and access additional technical documents and product info, visit www.deltafaucet.com/service-parts

Para referencia sobre las piezas de repuesto y acceder a documentos técnicos adicionales e información del producto, visite www.deltafaucet.com/service-parts

Pour obtenir la référence des pièces de rechange ainsi que pour avoir accès à d'autres documents techniques et renseignements sur le produit, allez à www.deltafaucet.com/service-parts



1-800-394-6478
www.deltafaucet.com/service-parts/contact-us/

Read all instructions prior to installation.

⚠ CAUTION

Failure to read these instructions prior to installation may result in personal injury, property damage, or product failure. Manufacturer assumes no responsibility for product failure due to improper installation.

Lea todas las instrucciones antes de hacer la instalación.

⚠ ADVERTENCIA

El no leer estas instrucciones de instalación puede resultar en lesiones personales, daños a la propiedad, o falla en el funcionamiento del producto. El fabricante no asume ninguna responsabilidad por la falla del producto debido a una instalación incorrecta.

Veillez lire toutes les instructions avant l'installation.

⚠ AVERTISSEMENT

L'omission de lire les présentes instructions avant l'installation peut entraîner des blessures, des dommages matériels ou le bris du produit. Le fabricant se dégage de toute responsabilité à l'égard d'un bris du produit causé par une mauvaise installation.



IMPORTANT: "Steam bath important safety instructions" publication 114317 includes a warning label that the contractor must install on the wall near the entrance to the steam room in a highly visible location. This label and its additional safety information are packaged with the generator packaging containing the installation instructions. If it is lost or missing contact: *customer support (1-800-394-6478)* for replacement instructions. This publication, along with all, documents must be left with the owner.



IMPORTANTE: La publicación 114317 "Instrucciones importantes de seguridad para baños de vapor" incluye una etiqueta de advertencia que el contratista debe instalar en la pared cerca de la entrada del baño de vapor en un lugar bien visible. Esta etiqueta y su información de seguridad adicional se incluyen con el paquete del generador que contiene las instrucciones de instalación. Si se pierde o falta, comuníquese con: atención al cliente (1-800-394-6478) para obtener instrucciones de reemplazo. Esta publicación junto con todos los documentos debe dejarse con el propietario.



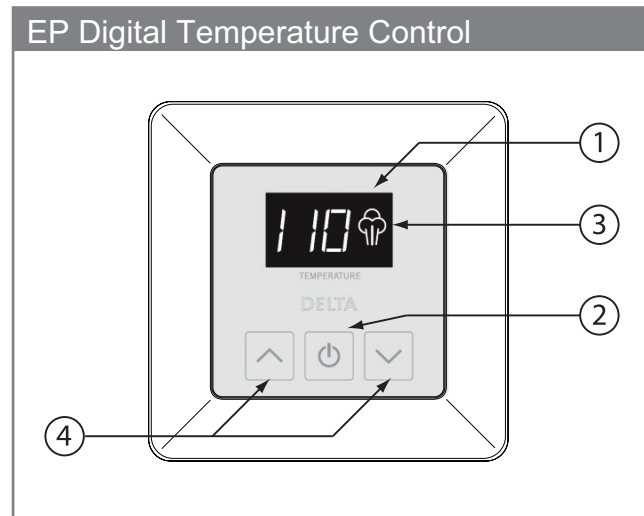
IMPORTANT : Le document 114317 intitulé « Instructions de sécurité importantes concernant le bain de vapeur » inclut une étiquette d'avertissement que l'entrepreneur doit apposer sur le mur près de l'entrée de l'enceinte de vapeur à un endroit bien à la vue. Cette étiquette et les feuillets sur lesquels figurent des renseignements de sécurité supplémentaires se trouvent dans l'emballage du générateur qui renferme les instructions d'installation. Si les instructions ont été perdues ou sont manquantes, communiquez avec le Service à la clientèle (1-800-394-6478) pour en obtenir d'autres. Ce document ainsi que tous les autres documents doivent être remis au propriétaire.

Control Features

- 1. Temperature Display:** Indicates steam room or set point temperature.
- 2. On/Off Button:** Press keypad and generator will begin producing steam in a few minutes. The generator will remain on for 30 minutes. Pressing the keypad a second time will stop the steam generator.
- 3. Steam Icon:** Indicates the generator is producing steam when illuminated. The heater in the generator and the steam icon on the control will cycle on and off as the temperature is maintained automatically in the steam room.
- 4. Up/Down Buttons:** Press to adjust the temperature set point.

IMPORTANT: This control must be installed inside the steam room for proper operation of the system.

Cleaning instructions: Use a damp cloth and mild soap. Do NOT use abrasive cleaners which might scratch the surface or the base of the control.



Funciones para el control

- 1. Pantalla de temperatura:** Indica la temperatura de la sala de vapor o del punto de ajuste.
- 2. Botones de encendido/apagado:** presione el teclado y el generador comenzará a producir vapor en unos minutos. El generador permanecerá encendido durante 30 minutos. El oprimir el teclado por segunda vez detendrá el generador de vapor.
- 3. Icono de vapor:** indica que el generador está produciendo vapor cuando está iluminado. El calentador en el generador y el ícono de vapor se encenderán y se apagarán ya que la temperatura se mantiene automáticamente en la sala de vapor.
- 4. Botón Arriba/Abajo:** Presiónelo para ajustar el punto de referencia de la temperatura.

IMPORTANTE: Este control debe instalarse dentro de la sala de vapor para el funcionamiento correcto del sistema.

Instrucciones para la limpieza: use un paño húmedo y jabón suave. NO use limpiadores abrasivos que puedan rayar la superficie o la base del control.

Caractéristiques de l'appareil de commande

- 1. Écran d'affichage de la température :** Indique la température dans l'enceinte de vapeur ou le point de consigne.
- 2. Bouton Marche/Arrêt :** Appuyez sur la touche et le générateur commence à produire de la vapeur après quelques minutes. Le générateur demeure en marche pendant 30 minutes. Pour arrêter le générateur de vapeur, appuyez sur la touche une seconde fois.
- 3. Icône vapeur :** Indique que le générateur produit de la vapeur lorsqu'elle est allumée. Le dispositif de chauffage dans le générateur se met en marche et s'éteint automatiquement pour maintenir la température de consigne dans l'enceinte de vapeur. Son fonctionnement est indiqué par l'icône vapeur qui s'allume et s'éteint.
- 4. Bouton à flèche ascendante et bouton à flèche descendante :** Appuyez sur ces boutons pour régler la température de consigne.

IMPORTANT : L'appareil de commande doit être installé dans l'enceinte de vapeur pour que le système fonctionne bien.

Instructions de nettoyage : Utilisez un chiffon humide et du savon doux. ÉVITEZ d'utiliser des nettoyeurs abrasifs qui pourraient égratigner la surface ou la base de l'appareil de commande.

1

Installation Instalación Installation

1. Pre-Installation - Control Location

- The EP103305 or 5P-EST Series Control must be installed inside the steam room. For convenience the recommended height from the floor is four feet. Provide a 1 1/2" hole in the wall at this location (see Figure 2). Mount control near the seating area on the opposite or adjacent wall from the steam head. The control and steam head should be as far apart as possible and NOT above or not within 4' to the right or left of the steam head.

IMPORTANT: Multi-conductor cable must be installed so that the end will not be buried inside the wall. The unit will not operate unless the control is installed.

2. Electrical Rough-in

- Remove the multi-conductor cable from the control packing box. Carefully route the multi-conductor control cable from the steam generator to the EP103305 or 5P-EST Series Control located inside the steam room. (See Figure 2 and Figure 3). Route multi-conductor cable through a 3/4" conduit to protect the cable from damage and to facilitate replacement if necessary.

3. Control and Cable Installation

- Locate the previously installed cable and black plastic strain relief clamp (1) which is in the control packing box. Locate the knockout (2) on the steam generator for the control cable (see Figure 3).
- Place strain relief around cable, about 7" from the end and insert into hole.
- Connect the cable to the modular jack (3).
- Close and secure generator cover.
- Locate modular jack and female coupler (4), on back of the EP103305 or 5P-EST Series Control. Plug cable into jack. Check that the orientation of the plug properly aligns with the jack. A snap will indicate the plug is installed correctly. (See Figure 2).

⚠ WARNING

Test the control for operation before continuing on to the next step.

- Peel adhesive liner from back of the control. Apply the control to the wall. Press firmly and hold for a few seconds.
- After the control is in place, apply silicone (supplied) around the control to form a watertight seal.

Figure 2

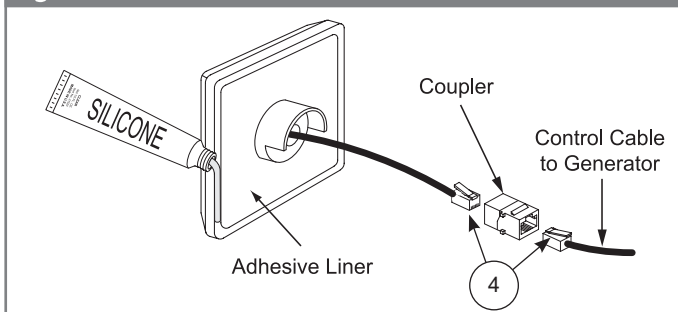
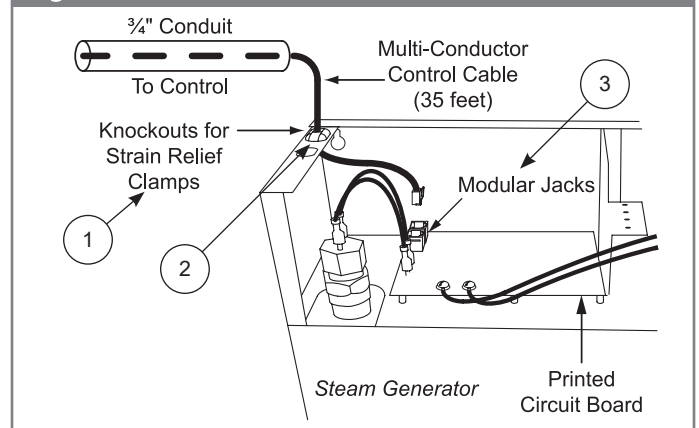


Figure 3



1. Preinstalación: ubicación del control

a. El control de la serie EP103305 o 5P-EST debe instalarse dentro de la sala de vapor. Para mayor comodidad, la altura recomendada desde el suelo es de cuatro pies. Proporcione un orificio de 1 1/2" en la pared en este lugar (vea la Figura 2). Monte el control cerca del área de asientos en el lado opuesto o adyacente de la pared del cabezal de vapor. El control y el cabezal de vapor deben estar lo más separados posible y NO por encima ni a menos de 4 pies a la derecha o a la izquierda del cabezal de vapor.

IMPORTANTE: El cable multiconductor debe instalarse de modo que el extremo no quede enterrado dentro de la pared. La unidad no funcionará a menos que el control esté instalado.

2. Montaje eléctrico

a. Retire el cable multiconductor de la caja de empaque del control. Dirija con cuidado el cable de control multiconductor desde el vapor generador al control de la serie EP103305 o 5P-EST ubicado dentro de la sala de vapor. (Ver Figura 2 y Figura 3). Pase el cable multiconductor a través de un conducto de 3/4" para proteger el cable de daños y facilitar el repuesto si es necesario.

3. Instalación de cables y del control

- Ubique el cable instalado previamente y la abrazadera de alivio de tensión plástica negra que se encuentra en la caja de empaque del control. Localice el golpe ciego en el generador de vapor para el cable de control (ver Figura 3).
- Coloque el alivio de tensión alrededor del cable, aproximadamente a 7" del extremo e insértelo en el orificio.
- Conecte el cable al conector modular.
- Cierre y asegure la tapa del generador.
- Ubique el conector modular y el acoplador hembra en la parte posterior del control de la serie EP103305 o 5P-EST. Enchufe el cable en el conector. Asegúrese que la orientación del enchufe se alinea correctamente con el enchufe. Un chasquido indicará que el enchufe está instalado correctamente. (Ver Figura 2).

ADVERTENCIA

Pruebe el funcionamiento del control antes de continuar con el siguiente paso.

- Despegue el forro adhesivo en la parte posterior del control. Aplique el control a la pared. Presione firmemente y mantenga presionado durante unos segundos.
- Una vez que el control esté en su lugar, aplique silicona (suministrada) alrededor del control para formar un sello hermético.

1. Avant l'installation – Emplacement de l'appareil de commande

a. L'appareil de commande de la série EP103305 ou 5P-EST doit être installé à l'intérieur de l'enceinte de vapeur. Idéalement, il doit se trouver à quatre pieds au-dessus du plancher. Faites un trou de 1 ½ po dans le mur à cet endroit (reportez-vous à la figure 2). Montez l'appareil de commande près de l'endroit pour s'asseoir, sur le mur opposé ou adjacent à celui où se trouve la tête de vapeur. L'appareil de commande et la tête de vapeur doivent être aussi éloignés l'un de l'autre que possible. De plus, l'appareil de commande NE DOIT PAS se trouver au-dessus de la tête de vapeur ni à moins de 4 pieds de celle-ci du côté droit et du côté gauche.

IMPORTANT : Le câble multiconducteur doit être installé de manière que son extrémité ne soit pas à l'intérieur du mur. L'appareil de commande est essentiel au fonctionnement du bain de vapeur

2. Câblage électrique

a. Retirez le câble multiconducteur de l'emballage de l'appareil de commande. Faites-le ensuite courir soigneusement entre le générateur de vapeur et l'appareil de commande de la série EP103305 ou 5P-EST situé à l'intérieur de l'enceinte de vapeur (reportez-vous aux figures 2 et 3). Faites courir le câble multiconducteur dans un conduit de 3/4 po pour le protéger et pour faciliter son remplacement au besoin.

3. Installation de l'appareil de commande et du câble

- Saisissez le câble installé précédemment et le serre-câble en plastique noir qui se trouve dans l'emballage de l'appareil de commande (reportez-vous à la figure 3).
- Placez le serre-câble autour du câble à environ 7 pouces de l'extrémité et introduisez le câble ainsi que le serre-câble dans le trou.
- Branchez le câble dans la prise modulaire.
- Fermez le couvercle du générateur et immobilisez-le.
- Trouvez le coupleur à prises modulaires à l'endos de l'appareil de commande de la série EP103305 ou 5P-EST. Branchez le câble dans la prise modulaire. Prenez soin de bien orienter la fiche par rapport à la prise modulaire. Un cliquement indique que la fiche est branchée correctement (reportez-vous à la figure 2).

AVERTISSEMENT

Vérifiez le fonctionnement de l'appareil de commande avant de passer à l'étape suivante.

- Retirez la pellicule qui recouvre la surface adhésive à l'endos de l'appareil de commande. Placez l'appareil de commande contre le mur et appuyez fermement sur celui-ci en maintenant la pression pendant quelques secondes.
- Une fois que l'appareil de commande est en place, appliquez du composé d'étanchéité à la silicone (fourni) autour de celui-ci pour former un joint étanche.

2

Operating Instructions Instrucciones para el funcionamiento Instructions d'utilisation

Operation: Make sure the water and power are turned on. Simply press the On/Off button on the control to begin the previously programmed cycle. Pressing the On/Off button a second time will cancel the cycle. After a cycle is started it will take a few minutes for the steam generator to heat up and begin producing steam. During operation the display will show the ambient temperature. The heat icon will cycle on and off as the temperature is maintained.

Programming: Adjustments can be made to the temperature control while the system is on. Any time the temperature is displayed. It can be adjusted by simply pressing the up or down button. All changes made to the temperature control are stored in memory until changed again. The temperature is 50° F to 125° F (10° C to 51° C).

Operación: Asegúrese de que el agua y la corriente eléctrica estén abiertas. Simplemente presione el botón de encendido/apagado en el control para comenzar el ciclo previamente programado. Al presionar el botón de encendido/apagado por segunda vez cancelará el ciclo. Después de iniciar un ciclo, el generador de vapor tardará unos minutos en calentarse y comenzar a producir vapor. Durante el funcionamiento, la pantalla mostrará la temperatura ambiente. El icono de calor se encenderá y apagará a medida que se mantenga la temperatura.

Programación: Se pueden hacer ajustes al control de temperatura mientras el sistema está encendido o apagado. En cualquier momento que se muestra la temperatura se puede ajustar simplemente presionando el botón arriba o abajo. Todos los cambios realizados en el control de temperatura se almacenan en la memoria hasta que se vuelvan a cambiar. La temperatura es de 50° F a 125° F (10° C a 51° C).

Fonctionnement : Assurez-vous que le robinet d'alimentation en eau est ouvert et que le système est sous tension. Appuyez simplement sur le bouton MARCHE/ARRÊT de l'appareil de commande pour amorcer le cycle programmé antérieurement. Vous pouvez appuyer sur le bouton une seconde fois pour annuler le cycle. Une fois que le cycle a été amorcé, il faut quelques minutes pour que le générateur de vapeur atteigne sa température de fonctionnement et commence à produire de la vapeur. Pendant le fonctionnement, l'écran d'affichage indique la température ambiante. L'icône de chauffage s'allume et s'éteint pendant que le dispositif de chauffage maintient la température.

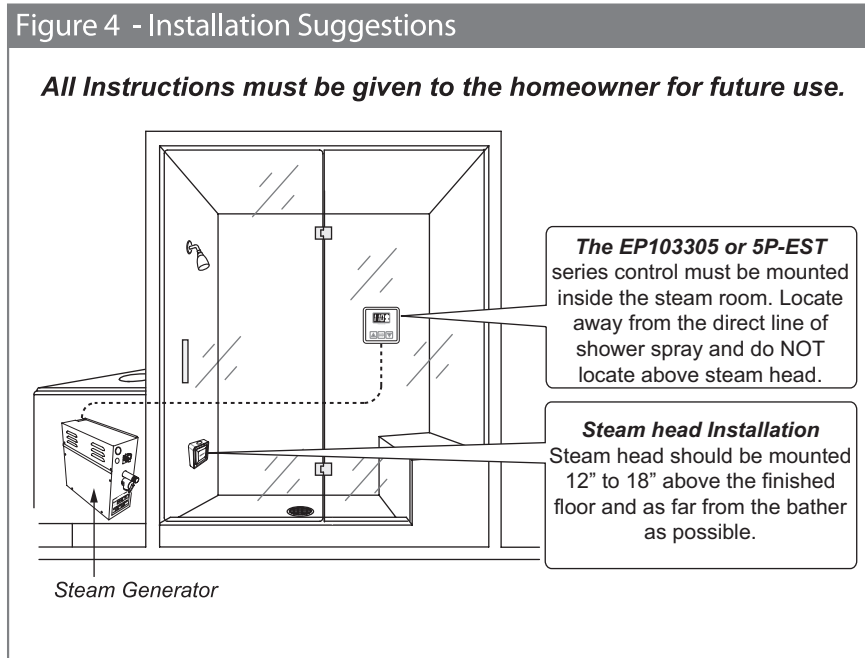
Programmation : Il est possible de régler la température pendant que le système est en marche ou arrêté. La température est affichée dans les deux cas. Il suffit d'appuyer sur le bouton à flèche ascendante ou le bouton à flèche descendante. Tous les réglages de température sont conservés en mémoire jusqu'à ce qu'ils soient modifiés. La plage de températures est comprise entre 50 °F et 125 °F (10 °C et 51 °C).

Additional Features Características adicionales Fonctionnalités supplémentaires

Memory: The temperature set point is retained even if there is a power failure.

Fahrenheit/Celsius: The temperature display may be changed to Fahrenheit or Celsius by simultaneously pressing and holding the up and down button for 5 seconds while the system is off. The display will show the current setting "F" or "C" and then alternate when the change is complete.

Error Messages: This control is programmed with a diagnostic feature to isolate potential problems. Error codes: E0, E1, E2, E3 – indicates internal control error. Please contact the manufacturer. E4, E5, E6 – indicates a communication error between the user control and steam generator. To narrow down the issue, unplug the user control from the wall and bring it to the steam generator. Next unplug the user control cable from circuit board and plug control directly into the generator. Turn the control on, while directly plugged in to determine if it powers up. If yes, inspect the control cable for damage, debris or corrosion at the contacts. If the control is still displaying an error code while directly plugged into the generator, contact the manufacturer for further assistance.



Memoria: El punto de ajuste de temperatura se conserva incluso si hay una falla de energía.

Fahrenheit/Celsius: la pantalla de temperatura se puede cambiar a Fahrenheit o Celsius presionando y manteniendo presionadas simultáneamente las teclas arriba y abajo durante 5 segundos mientras el sistema está apagado. La pantalla mostrará la configuración actual "F" o "C" y luego alternará cuando se complete el cambio.

Mensajes de error: este control está programado con una función de diagnóstico para ayudar a aislar cualquier problema potencial. Los mensajes de error E0, E1, E2, E3 indican un problema o un corto en el cable de control. Si ocurre este error, verifique que ambos extremos del cable de control tengan conexiones limpias, secas y seguras. Los contactos sucios se pueden limpiar con alcohol y un bastoncillo de algodón o un cepillo de dientes. E3, E4 y E6 indica un error de llenado de agua, esto indica que el sistema no está detectando el nivel correcto de agua, asegúrese de que el fluido de agua esté abierto y que la pantalla de entrada de agua no esté obstruida. E5, E6 indica un error en la sonda de nivel de agua, retire la sonda del nivel de agua (apagada) y revise los extremos metálicos para ver si hay acumulación de minerales, límpielos y vuelva a armarlos. También chequee la polaridad adecuada de las sondas, si están cruzadas estos errores ocurrirán.

Mémoire : La température de consigne est conservée même en cas de panne de courant.

Fahrenheit/Celsius : Il est possible de passer d'une échelle de température à l'autre (Fahrenheit ou Celsius) en appuyant simultanément sur le bouton à flèche ascendante et le bouton à flèche descendante, puis en les maintenant enfoncés pendant 5 secondes alors que le système est arrêté. L'écran affiche l'échelle qui était utilisée (« F » ou « C »), puis l'autre échelle une fois que le changement a été effectué.

Messages d'erreur : Cet appareil de commande comporte une fonction de diagnostic qui facilite le dépannage. Les codes d'erreur E0, E1 et E2, E3 révèlent la présence d'un problème ou d'un court-circuit dans le câble de l'appareil de commande. Si ce code d'erreur s'affiche, assurez-vous que les connexions aux deux extrémités du câble de l'appareil de commande sont propres, sèches et bien serrées. Des contacts sales peuvent être nettoyés avec de l'alcool et un cure-oreille ou une brosse à dents. Les codes d'erreur E3, E4 et E6 révèlent la présence d'un problème en lien avec l'alimentation en eau. Plus précisément, ces codes indiquent que le système ne reçoit pas le signal de niveau d'eau requis. Assurez-vous que le robinet d'alimentation en eau est ouvert et que le filtre métallique dans l'entrée d'eau n'est pas obstrué. Les codes E5 et E6 indiquent une défectuosité de la sonde de niveau d'eau. Retirez la sonde (alors que le système est hors tension) et, s'il y a des minéraux accumulés à ses extrémités, nettoyez-la, puis remettez-la en place. Vérifiez également la polarité. Ces codes d'erreur peuvent être produits par une inversion de polarité.

Limited Warranty on Delta® Steam Bath and Steam Shower Products *Applicable to products purchased and installed in the USA and Canada*

Residential Steam Bath Generators: Delta Faucet Company ("DFC") warrants to the original consumer purchaser that the parts (except for electronic parts) of its residential steam bath generator purchased from authorized Delta sellers will be free from defects in materials and workmanship for as long as the original consumer purchaser owns the home in which the steam bath was originally installed. This lifetime limited warranty does not apply to residential steam bath generators that are used in commercial applications (as defined herein).

Residential Electronic Parts, Controls, Spa Options and Accessories: DFC warrants to the original consumer purchaser that the electronic parts of its steam bath generator and its controls, spa options and accessories purchased from authorized Delta sellers will be free from defects in materials and workmanship for a period of two (2) years from the date that the product is received by the original consumer purchaser or their authorized representative (installation contractor, etc.). This two-year limited warranty does not apply to controls, spa options, electronic parts and accessories that are used in commercial applications (as defined herein).

Commercial Warranty: For the purposes of this warranty the term "commercial application" refers to installation in any setting in which the product is not being used for personal household use, including but not limited to hospitality applications, day spas, short-term and long-term rentals and gyms.

DFC warrants that the parts (including electronic parts) of its steam bath generators (including steam bath generators with model numbers beginning with 5COM, which are intended solely for heavy commercial use), equipment, controls, electronic parts, spa options and accessories purchased from authorized Delta sellers and used in a commercial application will be free from defects in materials and workmanship for a period of one (1) year from the date that the product is received by the original purchaser or their authorized representative (installation contractor, etc.).

What We Will Do: DFC will, at its option, repair or replace, free of charge, any part that proves defective in material and/or workmanship under normal installation, use and service during the applicable warranty period as stated above. DFC may elect to refund the purchase price. Replacement parts are subject to availability and may differ from those originally supplied.

For residential applications, two (2) years following the date that the product was received by the original consumer purchaser or their authorized representative (installation contractor, etc.), and with prior approval by DFC, DFC will pay for labor for repair/replacement associated with warranty coverage. Thereafter, DFC will not pay for labor associated with removal/repair/replacement of products covered by this warranty.

For commercial applications, DFC will, with prior approval by DFC, pay for labor associated with warranty coverage for ninety (90) days from the date that the product is received by the original purchaser or their authorized representative (installation contractor, etc.). Thereafter, DFC will not pay for labor associated with removal/repair/replacement of products covered by this warranty. **These are the consumer's exclusive remedies.**

What Is Not Covered: Because DFC is unable to control the quality of Delta products sold by unauthorized sellers, unless otherwise prohibited by law, this warranty does not cover Delta products purchased from unauthorized sellers. This warranty does not cover damage caused by improper or negligent installation or use. Provided that DFC is paying

the cost of the labor under the terms above, this warranty does not cover repairs attempted by any person other than an authorized DFC agent and shall be limited to the repair or replacement of defective parts by DFC or its authorized agent.

This warranty is void if any of the following should occur:

- The use of the product for an unintended application, including the commercial application of a product that is not intended for commercial use.
- Failure to follow instructions, including care, cleaning and usage instructions, provided in the product's owner's manual.
- The product's serial number has been altered or removed.
- The product is modified in any manner which DFC concludes, after its inspection, affects the reliability of the product.
- The product has been improperly repaired by anyone not specifically designated or authorized by DFC.
- The product is damaged because it is not operated or installed in accordance with supplied instructions.
- The product is installed outdoors.
- The product is installed in a moist and/or humid area with unconditioned air or temperatures that exceed 104 degrees Fahrenheit.
- The product is damaged due to freezing.
- The product is damaged by acts of God.

How to Make a Warranty Claim: To obtain warranty repair or replacement, contact DFC at: 800-394-6478 or steam-prodserv@deltafaucet.com to receive an RGA# (Return Goods Authorization number) which must be on the carton that is returned via UPS Ground or equivalent. Proof of purchase (original sales receipt showing purchase date) identifying the model and serial number and documentation of the date of receipt of the product by the original purchaser or their authorized representative (installation contractor, etc.) must accompany all warranty claims.

Limitation on Duration of Implied Warranties: Please note that some states/provinces (including Quebec) do not allow limitations on how long an implied warranty lasts, so the below limitations may not apply to you. TO THE MAXIMUM EXTENT PERMITTED BY APPLICABLE LAW, ANY IMPLIED WARRANTY, INCLUDING THE IMPLIED WARRANTIES OF MERCHANTABILITY AND OF FITNESS FOR A PARTICULAR PURPOSE, IS LIMITED TO THE STATUTORY PERIOD OR THE DURATION OF THIS WARRANTY, WHICHEVER IS SHORTER.

Limitation of Special, Incidental or Consequential Damages: Please note that some states/provinces (including Quebec) do not allow the exclusion or limitation of special, incidental or consequential damages, so the below limitations and exclusions may not apply to you. TO THE MAXIMUM EXTENT PERMITTED BY APPLICABLE LAW, THIS WARRANTY DOES NOT COVER, AND DFC SHALL NOT BE LIABLE FOR, ANY SPECIAL, INCIDENTAL OR CONSEQUENTIAL DAMAGES WHETHER ARISING OUT OF BREACH OF ANY EXPRESS OR IMPLIED WARRANTY, BREACH OF CONTRACT, TORT, OR OTHERWISE.

Additional Rights: This warranty gives you specific legal rights, and you may also have other rights which vary from state/province to state/province. This is DFC's exclusive written warranty and the warranty is not transferable.

Garantía limitada de los productos Delta® Steam Bath y Steam Shower *Aplicable a productos comprados e instalados en EE. UU. y Canadá*

Generadores de baños de vapor residenciales: Delta Faucet Company ("DFC") garantiza al comprador consumidor original que las partes (excepto las partes electrónicas) de su generador de baño de vapor residencial comprado a vendedores autorizados de Delta estarán libres de defectos en materiales y de fabricación durante el tiempo que el comprador consumidor original es dueño de la casa en la que se instaló originalmente el baño de vapor. Esta garantía limitada de por vida no se aplica a los generadores de baños de vapor residenciales que se utilizan en aplicaciones comerciales (como se define en este documento).

Piezas electrónicas residenciales, controles, opciones de spa y accesorios: DFC garantiza al comprador consumidor original que las partes electrónicas de su generador de baño de vapor y sus controles, opciones de spa y accesorios comprados a vendedores autorizados de Delta estarán libres de defectos en materiales y de fabricación durante un período de dos (2) años a partir de la fecha que el producto es recibido por el comprador consumidor original o su representante autorizado (contratista de instalación, etc.). Esta garantía limitada de dos años no se aplica a los controles, las opciones de spa, las piezas electrónicas y los accesorios que se utilizan en aplicaciones comerciales (como se define en este documento).

Garantía Comercial: A los efectos de esta garantía, el término "aplicación comercial" se refiere a la instalación en cualquier entorno en el que el producto no se utilice para uso doméstico personal, incluidas, entre otras, aplicaciones de hospitalidad, spas de día y servicios a corto y largo plazo, alquileres a plazo y gimnasios.

DFC garantiza que las piezas (incluidas las piezas electrónicas) de sus generadores de baños de vapor (incluidos los generadores de baños de vapor con números de modelo que comienzan con 5COM, que están destinados únicamente para un uso comercial pesado), los equipos, controles, piezas electrónicas, opciones de spa y accesorios comprados a vendedores autorizados de Delta y utilizados en una aplicación comercial estarán libres de defectos de materiales y mano de obra durante un período de un (1) año a partir de la fecha en que el comprador original o su representante autorizado (contratista de instalación, etc.) recibió el producto.

Lo que haremos: DFC, a su elección, reparará o reemplazará, sin cargo, cualquier pieza que presente defectos de material y/o de fabricación en condiciones normales de instalación, uso y servicio durante el período de garantía aplicable como se indicó anteriormente. DFC puede optar por reembolsar el precio de compra. Las piezas de repuesto están sujetas a disponibilidad y pueden ser diferentes a las suministradas originalmente.

Para aplicaciones residenciales, dos (2) años a partir de la fecha en que el producto fue recibido por el comprador consumidor original o su representante autorizado (contratista de instalación, etc.), y con la aprobación previa de DFC, DFC pagará la mano de obra para la reparación/reemplazo asociada con la cobertura de la garantía. A partir de entonces, DFC no pagará la mano de obra asociada con la extracción/reparación/reemplazo de los productos cubiertos por esta garantía.

Para aplicaciones comerciales, DFC, con la aprobación previa de DFC, pagará la mano de obra asociada con la cobertura de la garantía durante noventa (90) días a partir de la fecha en que el comprador original o su representante autorizado (contratista de instalación, etc.) reciba el producto. A partir de entonces, DFC no pagará la mano de obra asociada con la extracción/reparación/reemplazo de los productos cubiertos por esta garantía. **Estos son recursos exclusivos del consumidor.**

Lo que no está cubierto: Debido a que DFC no puede controlar la calidad de los productos DFC vendidos por vendedores no autorizados, a menos que la ley lo prohíba, esta garantía no cubre los productos DFC comprados a vendedores no autorizados.

Esta garantía no cubre los daños causados por una instalación o uso inadecuado o negligente. Siempre que DFC pague el costo de la mano de obra según los términos anteriores, esta garantía no cubre las reparaciones intentadas

por cualquier persona que no sea un agente autorizado de DFC y se limitará a la reparación o reemplazo de piezas defectuosas por parte de DFC o su agente autorizado.

Esta garantía queda anulada si ocurre cualquiera de lo siguiente:

- El uso del producto para una aplicación no prevista, incluida una aplicación de un producto que no está destinado para uso comercial.
- No seguir las instrucciones, incluidas las instrucciones de cuidado, limpieza y uso, proporcionadas en el manual del propietario del producto.
- El número de serie del producto ha sido alterado o eliminado.
- El producto se modifica de cualquier manera que DFC concluya, después de su inspección, que afecta la confiabilidad del producto.
- El producto ha sido reparado incorrectamente por alguien que no ha sido específicamente designado o autorizado por DFC.
- El producto está dañado porque no se operó o instaló de acuerdo con las instrucciones proporcionadas.
- El producto está instalado al aire libre.
- El producto está instalado en un área húmeda y/o húmeda con aire no acondicionado o temperaturas que exceden los 104 grados Fahrenheit.
- El producto está dañado debido a la congelación.
- El producto está dañado por fuerza mayor.

Cómo hacer un reclamo de garantía: Para obtener reparación o reemplazo en garantía, comuníquese con Delta al: 800-355-6478 o steam-prodserv@deltafaucet.com para recibir un RGA# (Número de autorización de devolución de mercancías) que debe estar en la caja que se devuelve a través de UPS Ground o el equivalente. El comprobante de compra (recibo de compra original que muestre la fecha de compra) que identifique el modelo y el número de serie y la documentación de la fecha de recepción del producto por parte del comprador original o su representante autorizado (contratista de instalación, etc.) debe acompañar todos los reclamos de garantía.

Limitación de la duración de las garantías implícitas: Tenga en cuenta que algunos estados/provincias (incluido Quebec) no permiten limitaciones sobre la duración de una garantía implícita, por lo que es posible que las siguientes limitaciones no se apliquen en su caso. EN LA MEDIDA MÁXIMA PERMITIDA POR LA LEY APPLICABLE, CUALQUIER GARANTÍA IMPLÍCITA, INCLUIDAS LAS GARANTÍAS IMPLÍCITAS DE COMERCIABILIDAD E IDONEIDAD PARA UN FIN DETERMINADO, SE LIMITA AL PERÍODO LEGAL O A LA DURACIÓN DE ESTA GARANTÍA, EL QUE SEA MÁS BREVE.

Limitación de daños especiales, incidentales o consecuentes: Tenga en cuenta que algunos estados/provincias (incluido Quebec) no permiten la exclusión o limitación de daños especiales, incidentales o consecuentes, por lo que es posible que las siguientes limitaciones y exclusiones no se apliquen en su caso. EN LA MEDIDA MÁXIMA PERMITIDA POR LA LEY APPLICABLE, ESTA GARANTÍA NO CUBRE, Y DFC NO SERÁ RESPONSABLE DE NINGÚN DAÑO ESPECIAL, INCIDENTAL O CONSECUENTE QUE SURJA DEL INCUMPLIMIENTO DE CUALQUIER GARANTÍA EXPLÍCITA O IMPLÍCITA, INCUMPLIMIENTO DE CONTRATO, AGRAVIO O DE OTRA MANERA.

Derechos adicionales: Esta garantía le otorga derechos legales específicos, y es posible que también tenga otros derechos que varían de un estado/provincia a otro estado/provincia. Esta es la garantía escrita exclusiva de Delta y la garantía no es transferible.

Garantie limitée des douches à vapeur et des bains de vapeur Delta® *Applicable aux produits achetés et installés aux États-Unis et au Canada*

Générateurs pour bain de vapeur résidentiel: Delta Faucet Company (« DFC ») garantit à l'acheteur au détail initial que les pièces (sauf les pièces électroniques) de ce générateur pour bain de vapeur résidentiel achetées de vendeurs Delta autorisés sont exemptes de matériaux défectueux et de vices de fabrication. Cette garantie à vie limitée est valide aussi longtemps que l'acheteur au détail initial possède la maison dans laquelle le bain de vapeur a été installé. Elle ne s'applique pas aux générateurs pour bain de vapeur résidentiels utilisés dans des applications commerciales (définies dans le présent document).

Pièces électroniques, commandes, options de spa et accessoires résidentiels: DFC garantit à l'acheteur au détail initial que les pièces électroniques de son générateur pour bain de vapeur ainsi que les commandes, les options de spa et les accessoires achetés de vendeurs Delta autorisés seront exemptes de matériaux défectueux et de vices de fabrication pendant une période de deux (2) ans calculée à compter de la date de réception du produit par l'acheteur au détail initial ou son représentant autorisé (entrepreneur chargé de l'installation, etc.). Cette garantie limitée de deux ans ne s'applique pas aux commandes, aux options de spa, aux pièces électroniques et aux accessoires qui sont utilisés dans des applications commerciales (définies dans le présent document).

Garantie pour les applications commerciales: Dans le libellé de la présente garantie, « applications commerciales » désigne toute installation dans des lieux où le produit n'est pas utilisé par un ménage, y compris, sans s'y limiter, les lieux d'accueil, les spas de jour, les lieux d'hébergement loués à court et à long termes ainsi que les salles de conditionnement physique.

DFC garantit que les pièces (y compris les pièces électroniques) de ses générateurs pour bain de vapeur (y compris les générateurs pour bain de vapeur dont le numéro de modèle débute par 5COM), l'équipement, les commandes, les pièces électroniques, les options de spa et les accessoires achetés de vendeurs Delta autorisés et utilisés dans des applications commerciales seront exemptes de matériaux défectueux et de vices de fabrication pendant une période d'un (1) an calculée à compter de la date de réception du produit par l'acheteur initial ou son représentant autorisé (entrepreneur chargé de l'installation, etc.).

Ce que nous ferons: À sa discrétion, DFC réparera ou remplacera, sans frais, toute pièce ayant été installée, utilisée et entretenue normalement qui comportera un matériau défectueux et/ou présentera un vice de fabrication pendant la période de garantie susmentionnée. DFC pourra décider de rembourser le prix d'achat. Les pièces de rechange seront fournies sous réserve de leur disponibilité et elles pourront être différentes de celles fournies initialement.

Dans le cas des applications résidentielles, au cours de la période de deux (2) ans qui suivra la réception du produit par l'acheteur au détail initial ou son représentant autorisé (entrepreneur chargé de l'installation, etc.) et sous réserve de l'approbation au préalable de DFC, DFC paiera la main-d'œuvre pour la réparation ou le remplacement des produits aux termes de la garantie. Par la suite, DFC ne paiera pas la main-d'œuvre nécessaire pour la dépose et la réparation ou le remplacement des produits couverts par la présente garantie.

Dans le cas des applications commerciales, DFC paiera, sous réserve de l'approbation au préalable de DFC, la main-d'œuvre associée à la couverture de la garantie pendant une période de quatre-vingt-dix (90) jours calculée à compter de la date de réception du produit par l'acheteur initial ou son représentant autorisé (entrepreneur chargé de l'installation, etc.). Par la suite, DFC ne paiera pas la main-d'œuvre nécessaire pour la dépose et la réparation ou le remplacement des produits couverts par la présente garantie. **Il s'agit des seuls recours du consommateur.**

Ce qui n'est pas couvert: Étant donné que DFC est incapable de contrôler la qualité des produits vendus par des vendeurs non autorisés, la présente garantie ne couvre pas les produits Delta vendus par des vendeurs non autorisés, à moins qu'une telle restriction soit interdite par la loi.

La présente garantie ne couvre pas les dommages causés par une installation ou une utilisation inappropriée ou négligente. Étant donné que DFC paie le coût de la main-d'œuvre selon les modalités susmentionnées, la présente

garantie ne couvre pas les réparations effectuées par une personne autre qu'un agent autorisé DFC et elle se limite à la réparation ou au remplacement des pièces défectueuses par DFC ou son agent autorisé.

La présente garantie ne s'applique pas dans l'une ou l'autre des circonstances suivantes :

- L'utilisation du produit pour une application à laquelle il n'est pas destiné, y compris une application commerciale si le produit n'est pas destiné à un usage commercial.
- L'omission de respecter les instructions, notamment les instructions d'entretien, de nettoyage et d'utilisation, contenues dans le manuel du propriétaire du produit.
- Le numéro de série a été altéré ou effacé.
- Le produit a été modifié d'une manière quelconque qui, de l'avis de DFC, après inspection du produit, compromet la fiabilité de celui-ci.
- Le produit a été réparé incorrectement par une personne quelconque qui n'est pas désignée ou autorisée expressément par DFC.
- Le produit est endommagé parce qu'il n'a pas été installé conformément aux instructions fournies.
- Le produit est installé à l'extérieur.
- Le produit est installé dans un environnement humide et l'air n'est pas climatisé ou la température excède 40 degrés Celsius (104 degrés Fahrenheit).
- Le produit a été endommagé par le gel.
- Le produit a été endommagé en raison d'un acte fortuit.

Comment faire un réclamation aux termes de la garantie: Pour faire réparer ou remplacer le produit aux termes de la garantie, communiquez avec DFC au 800-394-6478 ou à steam-prodserv@deltafaucet.com afin d'obtenir un numéro d'autorisation de retour qui devra se trouver dans l'emballage retourné par l'intermédiaire de UPS Ground ou l'équivalent. La preuve d'achat (original du reçu montrant la date d'achat) indiquant le modèle et le numéro de série ainsi que la documentation indiquant la date de réception par l'acheteur initial ou son représentant autorisé (entrepreneur chargé de l'installation, etc.) doivent accompagner toutes les réclamations aux termes de la garantie.

Limitation de la durée des garanties implicites: Veuillez noter qu'il est interdit dans certains États et certaines provinces (y compris le Québec) de limiter la durée d'une garantie implicite. Par conséquent, les limites mentionnées ci-dessous peuvent ne pas s'appliquer à vous. DANS LA MESURE DE CE QUI EST PERMIS PAR LA LOI APPLICABLE, TOUTES LES GARANTIES IMPLÍCITES, Y COMPRIS LES GARANTIES IMPLÍCITES DE QUALITÉ MARCHANDE ET D'ADEQUATION À UN USAGE PARTICULIER, SE LIMITENT À LA PÉRIODE FIXÉE PAR LA LOI OU À LA DURÉE DE LA PRÉSENTE GARANTIE, LA PLUS COURTE DES DEUX PÉRIODES S'APPLIQUANT.

Limitation des dommages particuliers, consécutifs ou indirects: Veuillez noter qu'il est interdit dans certains États et certaines provinces (y compris le Québec) d'exclure ou de limiter les dommages particuliers, consécutifs ou indirects. Par conséquent, les exclusions et les limites mentionnées ci-dessous peuvent ne pas s'appliquer à vous. DANS LA MESURE DE CE QUI EST PERMIS PAR LE DROIT APPLICABLE, DFC SE DÉGAGE DE TOUTE RESPONSABILITÉ À L'ÉGARD DES DOMMAGES PARTICULIERS, CONSÉCUTIFS OU INDIRECTS, PEU IMPORTE QU'ILS DÉCOULENT D'UNE RUPTURE D'UNE GARANTIE IMPLÍCITE OU EXPLÍCITE, D'UNE RUPTURE DE CONTRAT, D'UN DÉLIT CIVIL OU D'UNE AUTRE CAUSE, ET CES DOMMAGES NE SONT PAS COUVERTS PAR LA GARANTIE.

Droits supplémentaires: La présente garantie vous procure des droits particuliers reconnus par la loi. Vous pouvez aussi avoir d'autres droits qui varient selon l'État ou la province. La présente garantie écrite est la seule garantie offerte par DFC et elle n'est pas transférable.