

PRODUCT SPECIFICATIONS

Elkay Quartz Classic® 33" x 22" x 9-1/2", Single Bowl Drop-in Sink. Sink is molded with up to 80% natural quartz and high performance acrylic resins that are non-porous providing superior heat, scratch, fade and stain resistance. Naturally sound deadening and Rear Right drain placement.



| | |
|------------------------------|--|
| Installation Type: | Drop-in |
| Material: | Quartz |
| Finish: | Bisque (BQ), Black (BK), Dusk Gray (GY), Greige (GR), Greystone (GS), Mocha (MC), Pecan (PC), Putty (PT), White (WH) |
| Number of Bowls: | 1 |
| Sink Dimensions: | 33" x 22" x 9-1/2" |
| Bowl 1 Dimensions: | 30-5/16" x 16-7/16" x 9-1/2" |
| Drain Size: | 3-1/2" (89mm) |
| Drain Location: | Rear Right |
| Minimum Cabinet Size: | 36" |
| Mounting Hardware: | Part # 0000000222 included for countertops up to 1-3/4" (44mm) thick |
| Cutout Template #: | 0000001442 |

Template is available for download at [elkay.com](#)

Cutout Dimensions for Top Mount Installation:

32-3/8" x 21-3/8" (822mm x 543mm) with 11/16" (17mm) corner radius

Special Note: Recommended Bottom Grid: LKWOBG3016RSS;

Recommended Drains: LKQS35, LKQD35, LK99



AMERICAN PRIDE. A LIFETIME TRADITION.

Like your family, the Elkay family has values and traditions that endure. For almost a century, Elkay has been a family-owned and operated company, providing thousands of jobs that support our families and communities.

Product Compliance: CSA B45.5/IAPMO Z124

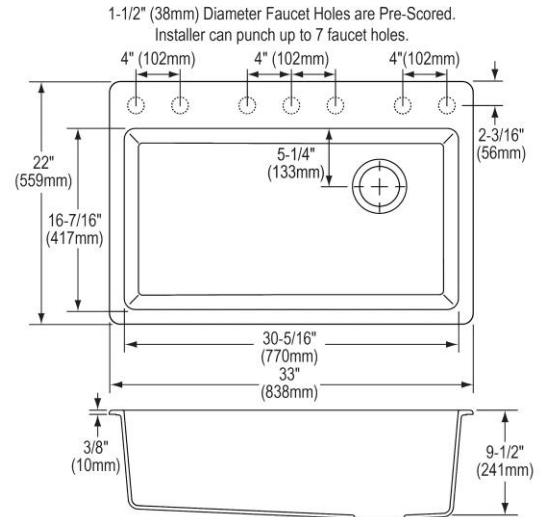


Sinks are listed by IAPMO® as meeting the applicable requirements of the Uniform Plumbing Code®, International Plumbing Code®, and c® National Plumbing Code of Canada.

[Clean and Care Manual \(PDF\)](#)

[Installation Instructions \(PDF\)](#)

[Warranty \(PDF\)](#)



PART: _____ QTY: _____

PROJECT: _____

CONTACT: _____

DATE: _____

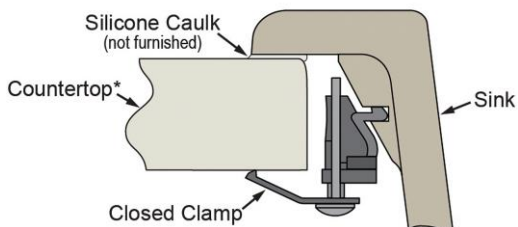
NOTES: _____

APPROVAL: _____

In keeping with our policy of continuing product improvement, Elkay reserves the right to change product specifications without notice. Please visit [elkay.com](#) for the most current version of Elkay product specification sheets. This specification describes an Elkay product with design, quality, and functional benefits to the user. When making a comparison of other producers' offerings, be certain these features are not overlooked.

Installation Profile:

DROP-IN - BLACK/GRAY SLOT CLIP



OPTIONAL ACCESSORIES

| | |
|------------------------|----------------------|
| Bottom Grid: | LKOBG3016RSS |
| Drain: | LKQS35, LKQD35, LK99 |
| Faucet: | LK6000CR, LKEC2031 |
| Soap Dispenser: | LKGT1054 |

In keeping with our policy of continuing product improvement, Elkay reserves the right to change product specifications without notice. Please visit elkay.com for the most current version of Elkay product specification sheets. This specification describes an Elkay product with design, quality, and functional benefits to the user. When making a comparison of other producers' offerings, be certain these features are not overlooked.