

FEATURES

- Solid metal construction for durability and reliability
- Pressure-balancing technology maintains water temperature within +/- 3 degrees Fahrenheit
- High-temperature limit stop helps eliminate scalding
- Complements the Per Se collection

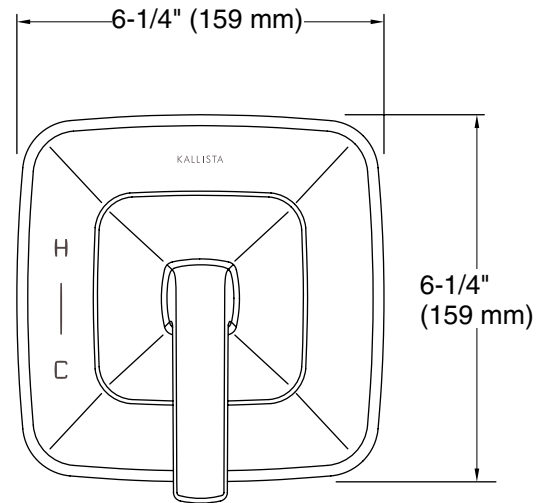
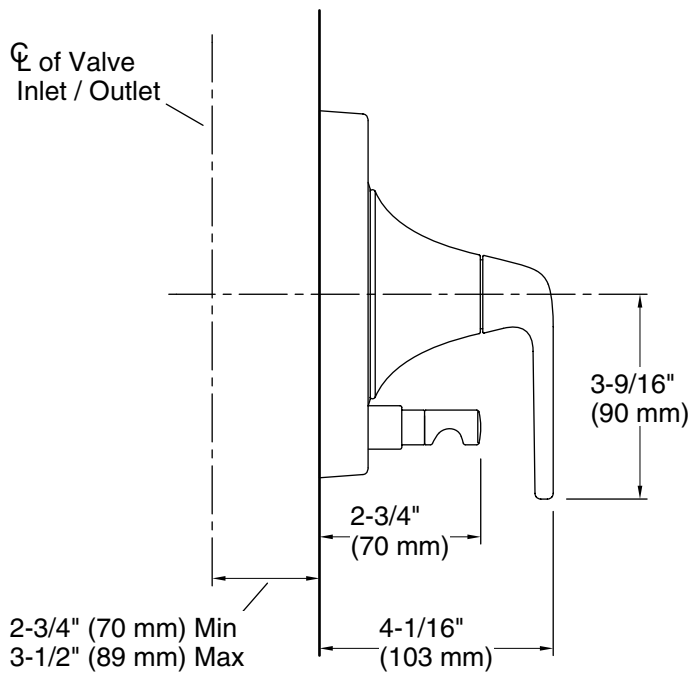
CODES/STANDARDS APPLICABLE

Specified model meets or exceeds the following:

- ASME A112.12.1/CSA B125.1
- IAPMO/cUPC Listed
- ADA

P24714

ADA



SPECIFIED MODEL		
Model	Description	Finishes
P24714-LV	Per Se Pressure Balance Trim with Diverter	<input type="checkbox"/> CP Polished Chrome <input type="checkbox"/> AD Nickel Silver <input type="checkbox"/> AG Brushed Nickel <input type="checkbox"/> W7 Black Nickel
Required Rough-In		
P29305-00	Rough-in	<input type="checkbox"/> NA
P29305-WS	Rough-in with stops	<input type="checkbox"/> NA

We reserve the right to make revisions without notice in the design of products or in packaging unless this right has specifically been waived at the time the order is accepted.