

### Features

- Single-speed whirlpool offers performance and value, with 5 fully adjustable jets.
- Hydromassage flow and direction can be controlled at each jet.
- Built-in heater.
- Hourglass shape adds style and elegance to your bathroom.
- Textured bottom surface
- Multiple pump location options give you more choices for installation and access. (See specification sheet for pump locations.)

### Material

- Acrylic

### Hydrotherapy

- Whirlpool

### Installation

- Drop-in

### Recommended Products/Accessories

K-1234 Removable Apron  
 K-7161-AF Bath Drain  
 K-9695 5-Jet Trim Kit  
 K-24916 Wireless Music Kit  
 K-1601 Bath/Whirlpool Footstop  
 K-7213 27" Cable Bath Drain  
 K-7214 27" Cable Bath Drain  
 K-7265 Clearflo Bath Drain  
 K-37380 30" Rough-in Cable Bath Drain  
 K-37383 30" Rough-in Cable Bath Drain



### Codes/Standards






ASME A112.19.7/CSA B45.10  
 CSA B45.5/IAPMO Z124  
 ASTM E162  
 ASTM E662  
 UL 1795

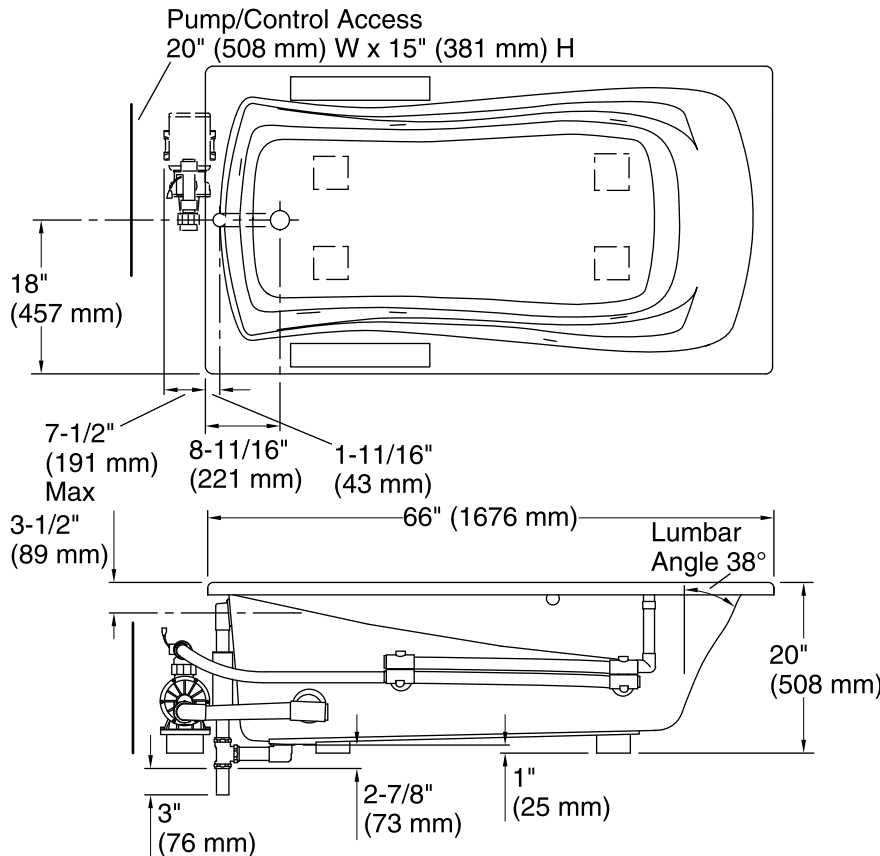
**KOHLER® Plastic Baths and Receptors  
 Lifetime Limited Warranty  
 KOHLER® Hydrotherapy Components  
 Five-Year Limited Warranty**

See website for detailed warranty information.

### Available Colors/Finishes

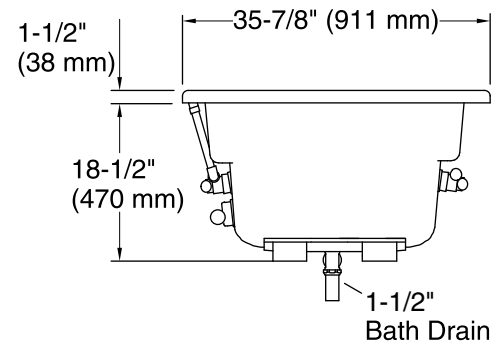
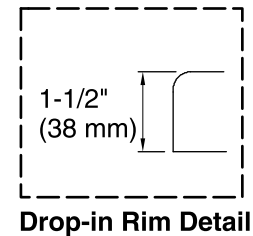
*Color tiles intended for reference only.*

Color	Code	Description
	0	White
	96	Biscuit
	47	Almond
	NY	Dune
	G9	Sandbar



No change in measurements if connected with drain illustrated. (K-7161-AF)

□ Recommended Faucet Location



### Required Electrical Service

Two dedicated circuits required, protected with Class A Ground-Fault Circuit-Interrupter (GFCI). Outside North America, this device may be known as a Residual Current Device (RCD).

Pump: 120 V, 15 A, 60 Hz  
Heater: 120 V, 15 A, 60 Hz

### Technical Information

All product dimensions are nominal.

Installation: Drop-in  
Drain location: End  
Basin area, bottom: 48" x 24" (1219 mm x 610 mm)  
Basin area, top: 59" x 30" (1499 mm x 762 mm)  
Weight: 115 lbs (52.2 kg)  
Minimum floor load: 43 lbs/ft<sup>2</sup> (209.9 kg/m<sup>2</sup>)  
Water depth: 14" (356 mm)  
Water capacity: 67 gal (253.6 L)  
Cutout: Drop-in, 64" x 34" (1626 mm x 864 mm)  
Electrical component rating: Pump: 120 V, 7.5 A, 60 Hz  
Heater: 120 V, 12.5 A, 60 Hz, 1500 W  
Pump speed: Single

### Notes

Measure your actual product for rough-in details. Install this product according to the installation instructions.

The hot water supply should be 70% of the capacity of the bath or greater. Installations will vary.

Provide one grounded electrical outlet within 24" (610 mm) of each component.

Pump must be relocated to custom position at the time of installation. Provide adequate clearance.

If installing a rim-mount faucet, make sure there is no interference above or below the deck before drilling any holes.