

### Features

- Bask® heated surface creates spa-like relaxation with soothing warmth on your back and neck.
- Three heat settings allow you to customize the surface temperature.
- Hourglass shape adds style and elegance to your bathroom.
- Integral apron.
- Integral flange helps prevent water from seeping behind wall and simplifies alcove installation.
- Textured bottom surface
- Right-hand drain.

### Material

- Acrylic

### Installation

- Three-wall alcove.

### Additional Hydrotherapy Options

- Soaking Bath - 1242-RA
- Soaking Bath + Bask heated surface - 1242-RAW
- BubbleMassage air bath - 1239-GRA
- VibrAcoustic - 1239-VBRA
- VibrAcoustic + Bask heated surface - 1239-VBRAW
- Whirlpool - 1239-RA
- Whirlpool + heater - 1239-HR
- Whirlpool + Bask heated surface - 1239-RAW

### Recommended Products/Accessories

K-7161-AF Bath Drain  
K-24916 Wireless Music Kit  
K-37380 30" Rough-in Cable Bath Drain  
K-37383 30" Rough-in Cable Bath Drain  
K-37386 rough-in cable drain, PVC, 30" cable



### Codes/Standards






CSA B45.5/IAPMO Z124  
ASTM E162  
ASTM E662  
UL 1795  
CSA C22.2 No. 218.2

**KOHLER® Plastic Baths and Receptors  
Lifetime Limited Warranty  
KOHLER® Hydrotherapy Components  
Five-Year Limited Warranty**

See website for detailed warranty information.

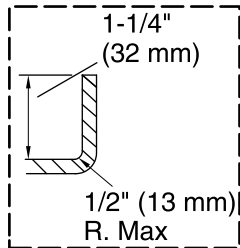
### Available Colors/Finishes

*Color tiles intended for reference only.*

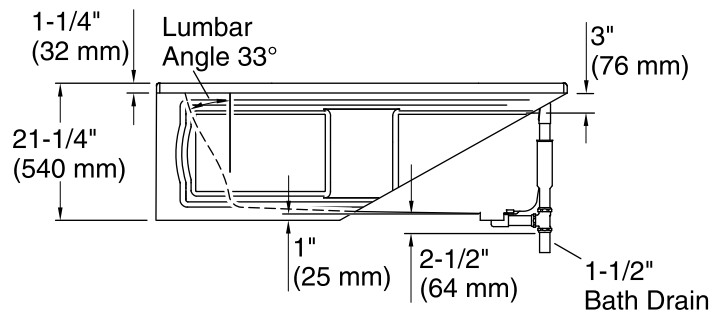
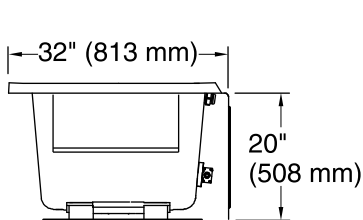
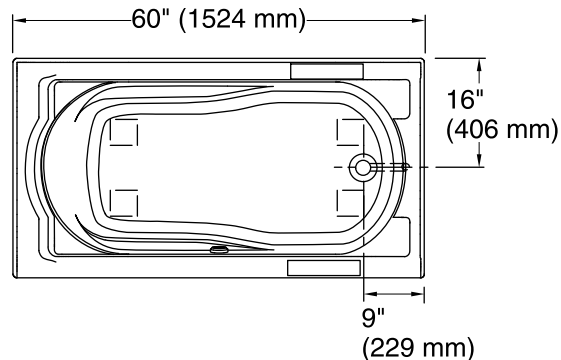
Color	Code	Description
	0	White
	96	Biscuit
	47	Almond
	NY	Dune
	G9	Sandbar

No change in measurements if connected with drain illustrated. (K-7161-AF)

□ Recommended Faucet Location



**Integral Flange Detail**



## Required Electrical Service

One circuit required, protected with Class A Ground-Fault Circuit-Interrupter (GFCI). Outside North America, this device may be known as a Residual Current Device (RCD).

Heated Surface: 120 V, 15 A

## Technical Information

All product dimensions are nominal.

Installation: Three-wall alcove  
 Drain location: Right  
 Basin area, bottom: 46" x 24" (1168 mm x 610 mm)  
 Basin area, top: 54" x 27" (1372 mm x 686 mm)  
 Weight: 62 lbs (28.1 kg)  
 Minimum floor load: 41 lbs/ft<sup>2</sup> (200.2 kg/m<sup>2</sup>)  
 Water capacity: 63 gal (238.5 L)  
 Electrical component rating: Heated Surface: 120 V, 0.5 A, 50/60 Hz, 65 W  
 Minimum flat for door: 2" (50 mm)

## Notes

Measure your actual product for rough-in details. Install this product according to the installation instructions.

The hot water supply should be 70% of the capacity of the bath or greater. Installations will vary.

If installing a rim-mount faucet, make sure there is no interference above or below the deck before drilling any holes.