



Springdale®

Under-Mount Bar Sink

UCL1515

Features

- Under-mount
- No faucet holes to accommodate either wall-mount or countertop faucets
- 7"-deep single bowl
- 3-5/8" drain opening
- Stainless steel with a luster finish
- SilentShield technology
- 19-gauge stainless steel
- Lifetime limited warranty

Recommended Products/Accessories

7400 Sink Strainer

Included Components

Product consists of:

91915 Hardware Kit

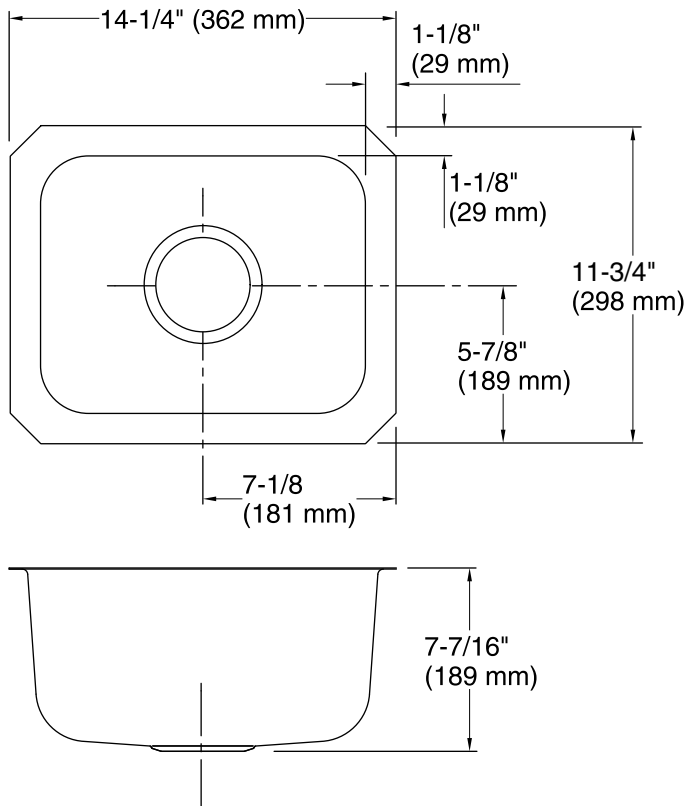


Codes/Standards

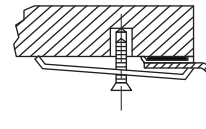
ASME A112.19.3/CSA B45.4

STERLING® Warranty - Stainless Steel Sinks

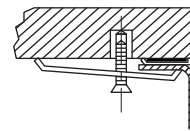
See website for detailed warranty information.



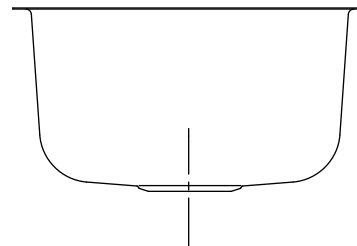
Mounting bracket assembly provides a secure installation.



Reveal



No Reveal



Technical Information

All product dimensions are nominal.

- Bowl configuration: Single
- Installation: Under-mount
- Min. base cabinet width: 18" (457 mm)
- Bowl area (Only): Length: 12" (305 mm)
Width: 9-1/2" (241 mm)
Bowl depth: 7" (178 mm)
Water depth: 7" (178 mm)
- Drain hole: 3-5/8" (92 mm)
- Template: 1315841-7, required, included

Notes

- Install this product according to the installation instructions.
- Measure your actual product for roughing-in details.