

Features

- HydroRail-R arch shower column designed for new installations or retrofit applications to replace an existing shower arm.
- Diverter positioned at the base of the column makes for easy toggling between the handshower and rainhead.
- Slidebar bracket allows you to adjust the height and angle of the handshower.
- 2.0 gpm (gallons per minute) flow rate.
- Shift Ellipse is a multifunction handshower that offers a full-coverage and targeted massage spray option.
- Handshower contains a flow-regulating check valve for backflow prevention.
- 8" Awaken Rainhead with a full coverage spray and an adjustable ball joint for precise spray adjustment.

Material

- HydroRail-R and hose made of premium metal construction.
- KOHLER finishes resist corrosion and tarnishing.

Installation

- In-shower only wall-mount installation.
- Installs in less than 60 minutes without changes to in-wall plumbing (subject to condition of existing installation).
- Includes an adapter that fits most installations.

Optional Products/Accessories

K-9660 Vacuum Breaker

Included Components

Product consists of:

- K-76464 8" Rainhead
 - K-45415-A Multifunction 2-Way Handshower, 2.0 gpm
 - K-9514 60" Shower Hose
 - K-45211 arch shower column
- Loose component/s: 45211, 9514, 45415-A, and 76464.



OBC

Codes/Standards



ASME A112.18.1/CSA B125.1
DOE - Energy Policy Act 1992
OBC

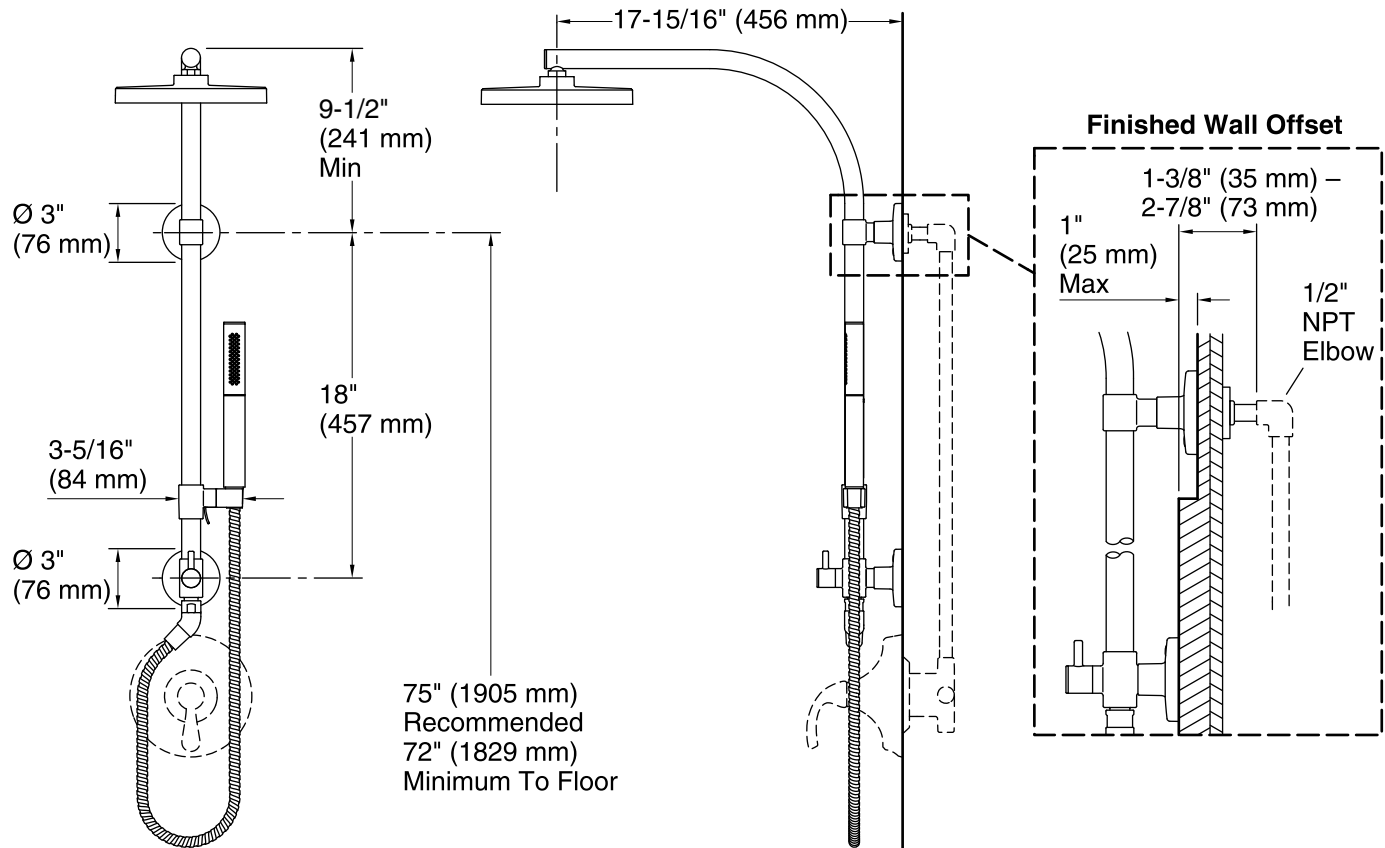
KOHLER® Faucet Lifetime Limited Warranty

See website for detailed warranty information.

Available Colors/Finishes

Color tiles intended for reference only.

Color	Code	Description
	CP	Polished Chrome
	BN	Vibrant® Brushed Nickel



Technical Information

All product dimensions are nominal.

Notes

Install this product according to the installation instructions.

Plumbing codes may require an atmospheric vacuum breaker be installed in-line to handshowers. Consult with local codes.

Order deep roughing-in kit if the distance from the elbow to the finished wall surface is between 2-7/8" (73 mm) to 4" (102 mm).

Order shallow roughing-in kit if the distance from the elbow to the finished wall surface is less than 1-3/8" (35 mm).

A 3" (76 mm) escutcheon/mounting collar is supplied to fit a 1" (25 mm) to 1-1/4" (32 mm) supply connection hole diameter. Order large escutcheon/mounting collar kit if the supply connection hole diameter is between 1-1/4" (32mm) to 2-1/4" (57 mm).

OBC compliant when installed to the specific requirements of these regulations.